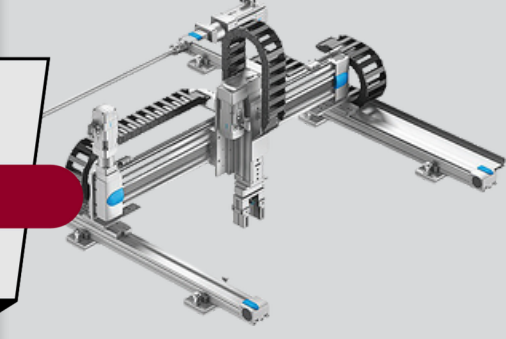


PNEUMATICS

# TSL SOLUTIONS



ELECTRIC ACTUATORS & GANTRIES



PLC & HMI'S



ROBOTICS



DRIVES & SOFT STARTS



SAFETY GUARDING AND CONTROLS



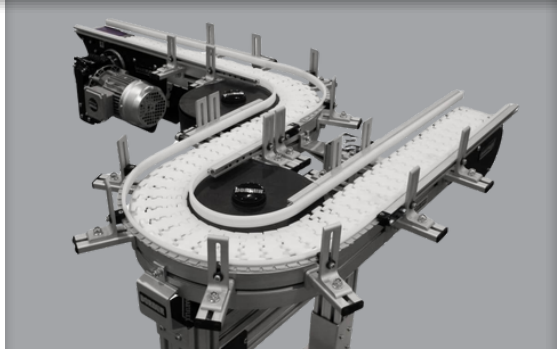
MOTION CONTROL



SENSORS



VACUUM CUPS, PUMPS AND TOOLING



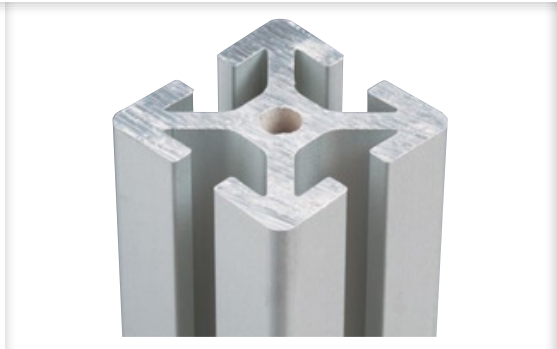
CONVEYORS



CIRCUIT PROTECTION & CONTROLS



IN-CABINET COMPONENTS



T-SLOT ALUMINUM EXTRUSIONS



FIELDBUS & CONNECTIVITY



*Because Motion Matters™*



## **Automation, Motion and Controls**

- Robotics
- PLC's
- I/O & Network Blocks
- HMI Touch Panels
- Sensors: Proximity, Photoelectric, Laser Measurement, Ultrasonic
- Vision Systems, Vision Sensors & Smart Cameras
- Lighting: Task, Tower, LED Indicators,
- Touch Buttons
- VFD's & Soft Starters
- Encoders
- Cordsets & Cables
- Contactors
- Push Buttons & Pilot Devices
- Relays
- Power Supplies
- Circuit Protection: Breakers, Fuse Holders
- Transformers
- GearMotors
- Motors: Servo, Stepper, Direct Drive, Synchronous
- Terminal Blocks
- Enclosures

## **Pneumatic and Vacuum**

- Air Compressors and Vacuum Pumps
- Air Motors
- Air Preparation – Filters, Regulators, Lubricators
- Pneumatic Actuators
- Cylinders and Guided Slides
- Cylinders, NFPA tie-rod style
- Grippers and Clamps
- Rotary Actuators
- Rodless Cylinders
- Directional Control Valves: 2-way, 3-way, 4-way
- Valve Manifolds and Terminals
- Vacuum Generators, Cups and Accessories
- Push-to-Connect Fittings & Quick Disconnects
- Plastic Tubing
- Flow Control Valves

## **Mechanical Motion**

- Belt and Ball Screw Actuators
- Multi-Axis Gantry Systems
- Conveyors
- Linear Bearings, Precision Rails, Ball Screws and Shafting
- T-Slotted Aluminum Extrusions
- Gear Boxes, Couplings and Drive Shafts
- Work-holding Clamps
- End-of-Arm Tooling

## **Safety & Guarding**

- Hard Guarding
- Fencing, Panels & Access Doors
- Wire Mesh
- Enclosures
- Safety PLC's
- Safety Controllers
- Safety Light Curtains
- Safety Interlocks

## **Process Automation**

- Media Valves: Angle Seat, Ball & Butterfly, Diaphragm and Pinch
- NAMUR Pilot Valves and Pilot Valve Terminals
- Valve Actuators & Positioners
- Process Controls and IO
- Process Cabling and Connectivity
- Sensors: Position, Flow, Pressure, Temperature
- Instrumentation Fittings
- Process Control Cabinets

## **Shock Absorption & Vibration Damping**

- Shock Absorbers
- Gas Springs
- Hydraulic Dampers
- Industrial Air Springs
- Rotary Dampers

**FESTO**



**piab**

**DORNER**

**gast**  
move with purpose

**T S L O T S**  
BY FUTURA INDUSTRIES

**DESTACO**  
a **DOVER** company

**ACE**

**Fortress**  
Interlocks

**FABCO-AIR**  
A member of Festo Group

# ADDITIONAL PRODUCT LINES

CHECK OUT OUR E-COMMERCE WEBSITE FOR

- PRICING
- INVENTORY
- PUNCH OUT CATALOGS
- MORE!



**E-COMMERCE**  
TSI ONLINE
