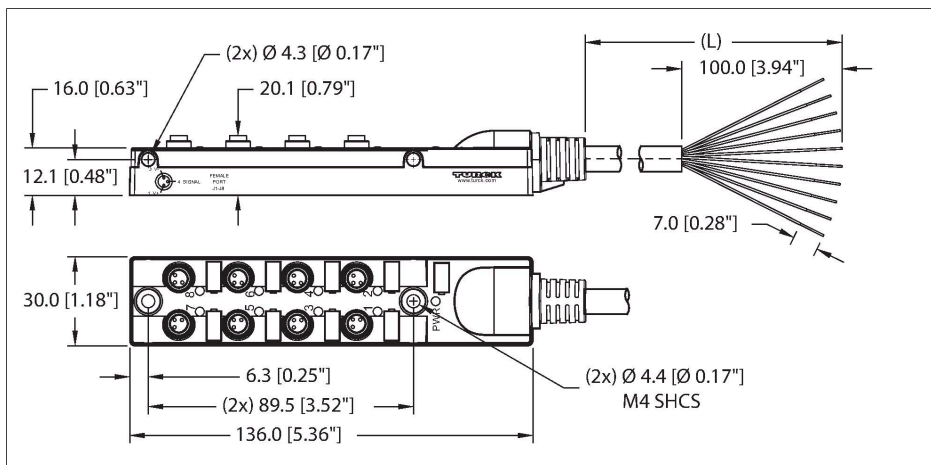


TB-8M8Z-3-x

Junction Box - Actuator/Sensor, 8-port – M8, 3 pole I/O port with cable homerun



Technical data

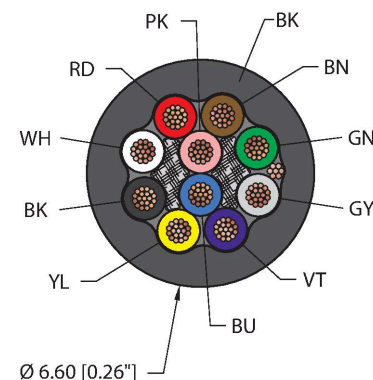
Type	TB-8M8Z-3-x
ID	777039478
Distributed I/O	Junction box, 8, with integral homerun cable
Housing	Plastic, PA 6 GF30, Black
I/O Port	Ø 8 mm, Female
Design specification	Acc. to IEC 61076-2-104
Number of contacts	3
Contacts	Brass, CuZn, Gold-plated
Contact carriers	Plastic, PA 6 GF15, Black
Connector seal	O-ring, Plastic, FKM/FPM
Mechanical life	> 100 Mating cycles
Pollution degree	3
Protection class (When coupled)	IP67
Homerun connector	Side exit
Cable data	
Cable ID	RF50836
Total number of conductors	10
Cable diameter	Ø 6.6 mm
Cable jacket	PVC, Black
Shield	Aluminum/polyester (IN)
Cable drain	26 AWG, TC (Tinned Copper)
Conductor diameter	0.044 "

Features



- Housing material: Nylon
- Housing color: Black
- Fully encapsulated
- Protection class: IEC: IP67
- CE compliant
- RoHS compliant
- I/O port: 3-pin
- General Purpose Cable
- Black PVC jacket, shielded, 10X24 AWG
- -40 Cold Bend Rating
- Flame Ratings: UL1061, CSA FT1

Cable cross section



Contact assignment

TB-8M8Z-3-x | 03/14/2022 23-12 | technical changes reserved

Technical data

I/O Connector



Conductor material	TC (tinned copper)
Conductor insulation material	PVC
Conductor size	10 x 24 AWG [Similar to 0.25 mm ²]
Number of strands x O.D.	19 x 36 AWG
Conductor colors	BU, PK, BN, GN, GY, VT, YL, BK, WH, RD

Electrical properties at +20 °C

Rated voltage	30 VDC
Current	2 A per signal contact, total current 6 A

Mechanical and chemical properties

Bending radius (static)	≥ 5 x Ø
Bending radius (dynamic)	≥ 15 x Ø
Cold bend rating	-40 °C
Ambient temperature range (static)	-40 °C...+85 °C
Ambient temperature range (dynamic)	-5 °C...+85 °C
Temperature range (installation)	-10 °C...+85 °C

Approval

Approvals	CE RoHS
-----------	------------

Note

- Flex ratings may be reduced if used in extreme temperatures, exposure to certain chemicals, operating above the rated cycle speed, or operating below the rated cable bend radius.
- We reserve the right to make technical alterations without prior notice.

Scope of delivery

Device	Quantity	Description
Junction boxes	1	Passive actuator/sensor junction box
PSGK-MC	2	Closure caps for M8 female connectors
KS5/10	9	Labels

Accessories

Ident-No.	Part Number	Description
U0915-15	BKM 14-836-5	Connection cordset, female, M16, 14-pin, straight, 5m * (homerun)
U2-07158	BK 14-0	Field-wireable, female, M16, 14-pin, straight
U2-07157	BS 14-0	Field-wireable, male, M16, 14-pin, straight
U0092-00	PSG 3-2	Cordset, male, Ø 8 mm (snap), 3-pin, straight, 2m * (I/O port)
U0138-2	PSW 3-2	Cordset, male, Ø 8 mm (snap), 3-pin, right-angle, 2m * (I/O port)
A1050	KS 5/10 (10/LABELS)	Labels
U2-11982	PSGK-MC (8/BAG)	Dust cap, male, Ø 8 mm (snap), (8/BAG)
A900154	TORQUE-WRENCH-SET-M12&M8-LEGACY	Torque wrench set, Torque driver, torque setting tool, M12 fitting, M8 fitting.
A900102	PICOBOX ADAPTOR PLATE, 8 PORT (1PACK)	For mounting new style picobox to existing mounting holes. Allows new picobox to utilize the previous version mounting hole locations.

* Other lengths available on request

Circuit Diagram

