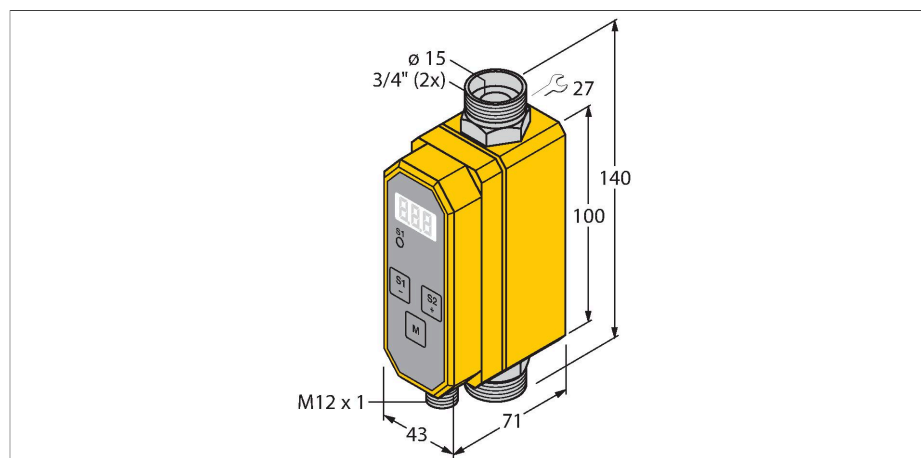


# FTCI-3/4D15A4P-4UP8X-H1160

## Flow Rate Measurement – Inline Sensor with Integrated Processor



### Features

- Compact inline flow sensor
- Calorimetric principle
- Monitoring of flow rate
- Monitoring of the medium temperature
- For water/glycol mix
- Parametrized via button
- Protected by software code
- DC 6-wire
- PNP outputs
- NO/NC programmable

### Functional principle

The FTCTIs from TURCK monitor flow rates of liquids passing through the sensor reliably and wear-free. These sensors are designed for high-precision flow rate measurement rather than simple flow monitoring tasks.

Based on the thermodynamic principle, electrical energy is converted in heat energy. The heat generated in the probe is conducted away by the flowing medium. The dissipated heat quantity is used as a direct measure for the medium's flow speed. The integrated microprocessor evaluates the data and calculates the flow rate. Based on the applied principle, the user is also indicated the media temperature.

In addition to the standardized electrical output signals for industrial applications, the TURCK flow meters also indicated the current flow rate on its 3-digit 7-segment display.

### Technical data

Ident. no.	6870813
Type	FTCI-3/4D15A4P-4UP8X-H1160
<b>Mounting</b>	<b>Inline sensor</b>
Application area	flow rate/temperature monitoring of water or water/glycol mix
Flow operating range	3.8...45.4 l/min
Stand-by time	6...10 s
Temperature gradient	≤ 400 K/min
Medium temperature	-10...+90 °C
Ambient temperature	0...+60 °C
<b>Operating voltage</b>	<b>21.6...26.4 VDC</b>
Current consumption	≤ 100 mA
Output function	4 × PNP, NO/NC programmable
Rated operational current	0.2 A
Short-circuit protection	yes
Reverse polarity protection	yes
Protection class	IP65
Design	Inline
<b>Housing material</b>	<b>Plastic, PBT</b>
Sensor material	Stainless steel, 1.4571 (AISI 316Ti)
Electrical connection	Connector, M12 × 1
Process Pressure	20 bar
Process connection	3/4" Swagelok

## Technical data

Flow state display	7-segment display, switching status LED (yellow)
LED display	red = 4 mA 1 x green > 4 mA 2 x green > 8 mA 3 x green > 12 mA 4 x green > 16 mA 5 x green = 20 mA