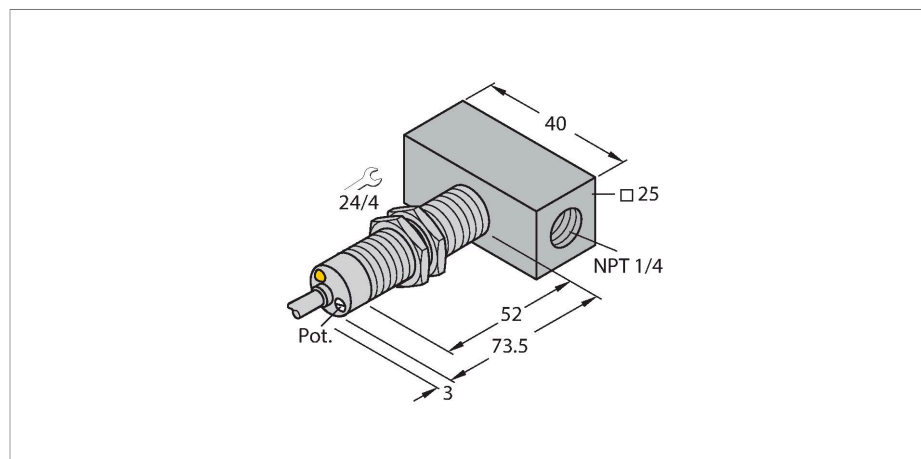


FCS-M18-AP8X/D087

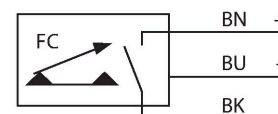
Flow Monitoring – Immersion Sensor with Integrated Processor



Features

- Sensor for gaseous media
- Calorimetric principle
- Adjustments via potentiometer
- Status display via 2-color LED
- Chrome-plated brass sensor
- 3-wire DC, 19.2...28.8 VDC
- NO contact, PNP output
- Cable device

Wiring diagram



Technical data

ID no.	6870800
Type	FCS-M18-AP8X/D087
Special version	D087 corresponds to: wie der FCS-M18-AP8X/D041 nur mit N1/4"- anstatt mit G1/4-Gewinde im Adapterblock
Mounting	Immersion sensor
Air Operating Range	0.5...15 m/s
Switch-on time	typ. 2 s (1...20 s)
Switch-off time	typ. 2 s (1...20 s)
Temperature gradient	≤ 200 K/min
Medium temperature	-20...+70 °C
Ambient temperature	0...+60 °C
Operating voltage	19.2...28.8 VDC
Current consumption	≤ 70 mA
Output function	PNP, NO contact
Rated operational current	0.4 A
Short-circuit protection	yes
Reverse polarity protection	yes
Protection class	IP67
MTTF	637 years acc. to SN 29500 (Ed. 99) 40 °C
Design	Immersion
Housing material	Metal, CuZn
Sensor material	Brass, brass, nickel-plated

Functional principle

The function of immersion flow sensors is based on the thermodynamic principle. The sensor is heated up by a few degrees Celsius compared to the flow medium. If the medium flows past the sensor, the heat generated in the sensor is dissipated. The resulting temperature is measured and compared with the temperature of the medium. The flow condition of each medium can be derived from the temperature difference obtained. Thus, TURCK flow sensors reliably and wear-free monitor the flow of liquid or gaseous media.

Technical data

Electrical connection	Cable
Cable length (L)	2 m
Core cross-section	3 x 0.5 mm ²
Process connection	1/4" NPT female thread
Switching state	2-color LED, Red/Green
Tests/approvals	
Approvals	UL
UL registration number	E210608