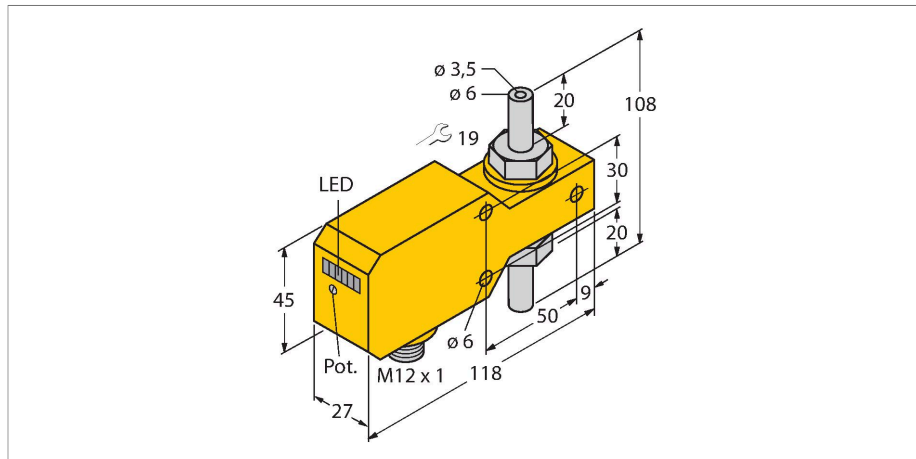


FCI-TCD04A4P-AP8X-H1141/D084

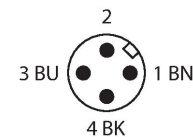
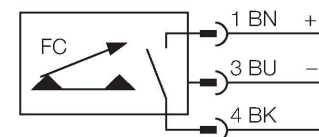
Flow Monitoring – Inline Sensor with Integrated Processor



Features

- Flow sensor for liquid media
- Calorimetric principle
- Adjustment via potentiometer
- LED band
- Operating range 1...200 ml/min
- Mechanical Connection: Tube, 6 mm, to connect to cutting/compression ferrule fitting
- DC 3-wire, 19.2...28.8 VDC
- NO contact, PNP output
- Connector device, M12 × 1

Wiring diagram



Functional principle

The function of the inline flow sensors is based on the thermo-dynamic principle. Heat is generated in a measuring tube and absorbed by the flowing medium. The transported heat loss is thus a measure of the flow speed. Thus TURCK's wear-free flow sensors reliably monitor the flow of gaseous and liquid media. A low pressure drop and fast response to flow rate variations are the outstanding features of these devices.

Technical data

ID no.	6870682
Type	FCI-TCD04A4P-AP8X-H1141/D084
Special version	D084 corresponds to: FCI mit Rohranschluß 6mm (innen 4mm) für Swagelokverschraubung
Mounting	Inline sensor
Flow operating range	0.001...0.2 l/min
Stand-by time	5...20 s
Switch-on time	0.5...3 s
Switch-off time	0.5...3 s
Temperature gradient	≤ 400 K/min
Medium temperature	0...+60 °C
Ambient temperature	0...+60 °C
Operating voltage	19.2...28.8 VDC
Current consumption	≤ 50 mA
Output function	PNP, NO contact
Rated operational current	0.2 A
Voltage drop at I _o	≤ 1.5 V
Short-circuit protection	yes
Reverse polarity protection	yes
Protection class	IP67
Design	Inline
Housing material	Plastic, PBT
Sensor material	Stainless steel, 1.4571 (AISI 316Ti)
Electrical connection	Connector, M12 × 1

Technical data

Process Pressure	10 bar
Process connection	Barrel 6 mm
Switching state	LED chain, Green/Yellow/Red
Flow state display	LED chain
Indication: Drop below setpoint	LED red
Indication: Setpoint reached	LED yellow
Indication: Setpoint exceeded	4 x LEDs green