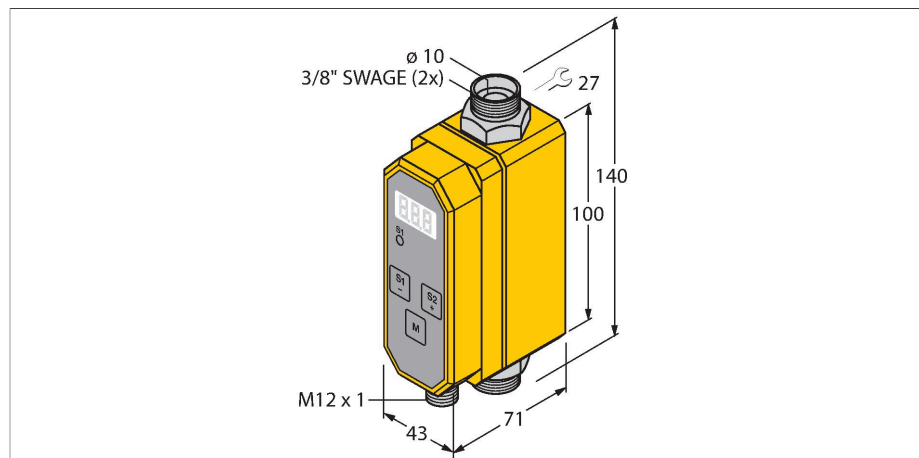


FCI-D10A4P-2ARX-H1160/D201

Flow Monitoring – Inline Sensor with Integrated Processor

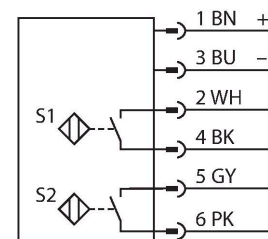
Relay Output 24 VDC NO



Features

- Flow sensor for liquid media
- Calorimetric principle
- Adjustment via potentiometer
- LED band
- Operating range 0.8...15 l/min
- 2 relay switching outputs
- Switching outputs 24 VDC NO
- Switchpoints freely adjustable

Wiring diagram



Functional principle

The function of the inline flow sensors is based on the thermo-dynamic principle. Heat is generated in a measuring tube and absorbed by the flowing medium. The transported heat loss is thus a measure of the flow speed. Thus TURCK's wear-free flow sensors reliably monitor the flow of gaseous and liquid media. A low pressure drop and fast response to flow rate variations are the outstanding features of these devices.

Technical data

ID no.	6870679
Type	FCI-D10A4P-2ARX-H1160/D201
Special version	D201 corresponds to: FCI-kompakt, programmierbar mit 7-Segmentanzeige, Schneidringverschraubung für 3/8" Rohr, Innendurchmesser 10 mm, Temperaturanzeige, 2 Relaisausgänge, 3 Fluide
Mounting	Inline sensor
Flow operating range	0.8...15 l/min
Stand-by time	5...15 s
Switch-on time	0.5...1 s
Switch-off time	0.5...1 s
Temperature gradient	≤ 400 K/min
Medium temperature	-10...+95 °C
Ambient temperature	-20...+60 °C
Operating voltage	21.6...26.4 VDC
Current consumption	≤ 50 mA
Output function	Relay output, NO contact
Rated operational current	2 A
Short-circuit protection	no
AC switching voltage	36 VAC
DC switching voltage	30 VDC
Max. AC switching capacity	500 VA

Technical data

Max. DC switching capacity	50 W
Protection class	IP65
Design	Inline
Sensor material	Stainless steel, 1.4571 (AISI 316Ti)
Max. tightening torque of housing nut	30 Nm
Electrical connection	Connector, M12 × 1
Process Pressure	10 bar
Process connection	3/8" Swagelok
Flow state display	7-segment display, status LED (yellow)