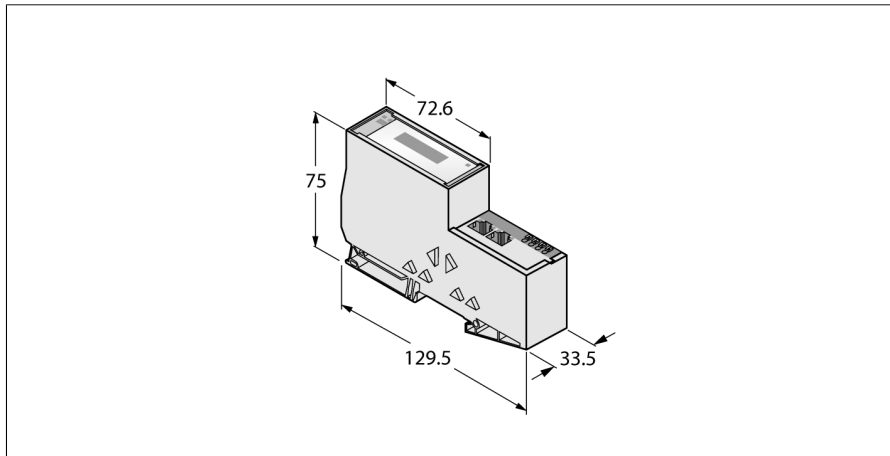


Gateway for the BL20 I/O System

Multiprotocol Interface for Ethernet

BL20-E-GW-EN



Functional principle

BL20 gateways are the head component of a BL20 station. They are designed to interface the modular fieldbus nodes to the higher level fieldbus (PROFIBUS-DP, DeviceNet, CANopen, Ethernet).

All BL20 electronic modules communicate over the internal module bus, the data of which is transferred to the fieldbus via the gateway, so that all I/O modules can be configured independently of the bus system.

Type designation	BL20-E-GW-EN
Ident-No.	6827329
<hr/>	
Supply voltage	24 VDC
System power supply	24 VDC / 5 VDC
Field supply	24 VDC
Admissible range	18...30 VDC
Nominal current from module bus	≤ 200 mA
Max. field supply current	8 A
Max. system supply current	0.4 A
Voltage supply connection	Push-in terminals
<hr/>	
System data	
Max. number of I/O modules	31
Transmission rate	10/100 Mbps; full/half duplex; auto negotiation; auto crossing
Connection technology Ethernet	2 x RJ45, female
Protocol detection	automatic
Web server	192.168.1.254 (Default)
Service interface	Ethernet
<hr/>	
Modbus TCP	
Addressing	Static IP, DHCP
Supported function codes	FC1, FC2, FC3, FC4, FC5, FC6, FC15, FC16, FC23
Number of TCP connections	8
Input register start address	0 (0x0000 hex)
Output register start address	2048 (0x0800 hex)
<hr/>	
EtherNet/IP™	
Addressing	acc. to EtherNet/IP™ specification
Quick Connect (QC)	< 500 ms
Device Level Ring (DLR)	supported
Class 1 connections (CIP)	8
<hr/>	
PROFINET	
Addressing	DCP
Conformance class	B (RT)
MinCycleTime	1 ms
Fast Start-Up (FSU)	< 500 ms
Diagnostics	acc. to PROFINET alarm handling
Topology detection	supported
Automatic addressing	supported
Media Redundancy Protocol (MRP)	supported

Gateway for the BL20 I/O System

Multiprotocol Interface for Ethernet

BL20-E-GW-EN

Dimensions (W x L x H)	33.5 x 129.5 x 74.4mm
Approvals	CE, cULus, zone 2, Class I, Div. 2
Operating temperature	0 to +55 °C
Storage temperature	-25...+85 °C
Relative humidity	5 to 95% (internal), Level RH-2, no condensation (at 45 °C storage)
Vibration test	acc. to EN 61131
Shock test	acc. to IEC 68-2-27
Drop and topple	acc. to IEC 68-2-31 and free fall to IEC 68-2-32
Electromagnetic compatibility	acc. to EN 50,082-2
Protection class	IP20
MTTF	328 years acc. to SN 29500 (Ed. 99) 20 °C

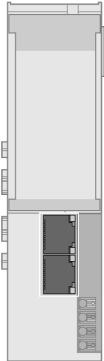
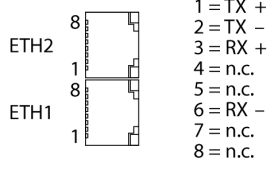
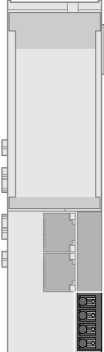
Included in delivery	2 x end brackets BL20-WEW-35/2-SW, 1 x end plate BL20-ABPL
-----------------------------	--

Gateway for the BL20 I/O System

Multiprotocol Interface for Ethernet

BL20-E-GW-EN

Anschlussübersicht

	<p>Ethernet</p> <p>Fieldbus cable (example): RJ45S-RJ45S-441-2M (ident no. 6932517) or RJ45-FKSDD-441-0,5M/S2174 (ident no. 6914221)</p>	<p>Pin Assignment</p> 
	<p>Power Supply</p> <p>The U_{sys} system supply feeds power to the gateway and the I/O modules.</p> <p>The U_L field supply feeds power to the sensors and actuators.</p>	<p>Pin Assignment</p> 