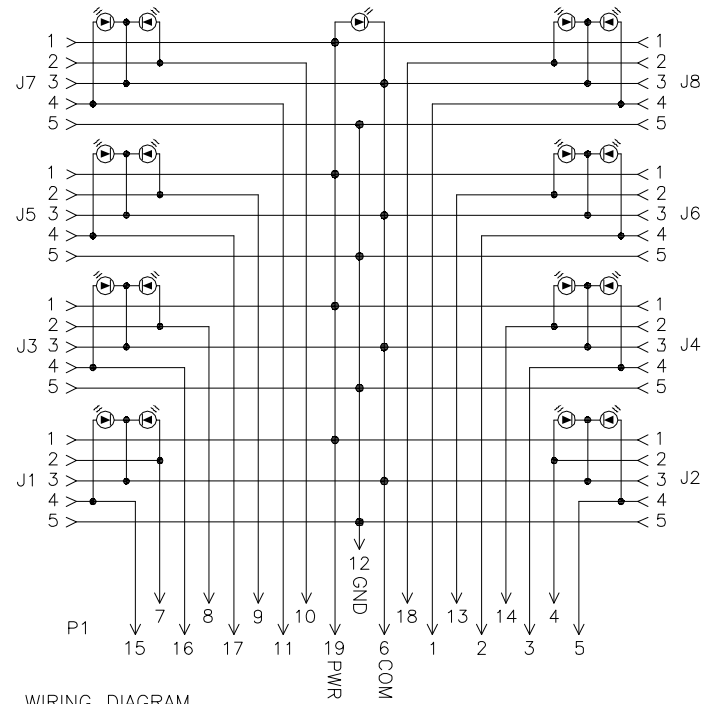
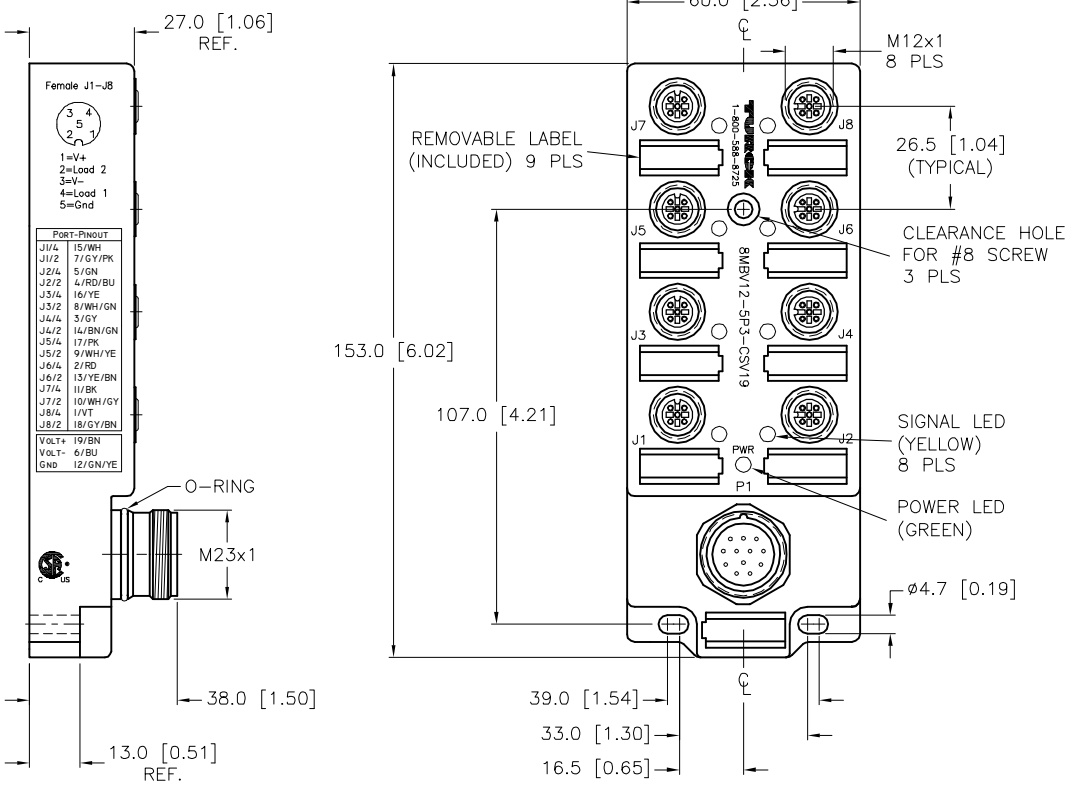


SPECIFICATIONS	
MATERIAL	
HOUSING/COLOR	NYLON/BLACK
RECEPTACLES/FINISH	STAINLESS STEEL/PASSIVATED
CONTACT CARRIERS/COLOR	NYLON/BLACK (J1-J8), PBT/WHITE (P1)
CONTACTS	GOLD-PLATED BRASS
SEALING RING	VITON O-RINGS
ELECTRICAL DATA	
OPERATING VOLTAGE	10-48 VDC
OPERATING CURRENT	4.0 AMPS PER PORT, 8.0 AMPS TOTAL
LED CURRENT	12mA MAX AT 48VDC SUPPLY VOLTAGE(PER LED)
SPACINGS	to VDE 0110 GROUP C
MECHANICAL DATA	
PROTECTION CLASS to DIN 40050	IP 67 - ONLY WHEN ALL RECEPTACLES ARE COVERED WITH PLUGS OR CONNECTED
OPERATING TEMPERATURE	-30°C to +80°C (-25°F to +176°F)



WIRING DIAGRAM

SOURCE DRAWING - FOR REFERENCE ONLY



RELATED DOCUMENTS	
1.	
2.	
3.	
4.	
MATERIAL	SEE SPECIFICATIONS
FINISH	SEE SPECIFICATIONS

3RD ANGLE PROJECTION	
ALL DIMENSIONS DISPLAYED ON THIS DRAWING ARE FOR REFERENCE ONLY	
CONTACT TURCK FOR MORE INFORMATION	

THIS DRAWING IS CONFIDENTIAL AND THE PROPERTY OF TURCK INC. USE OF THIS DOCUMENT WITHOUT WRITTEN PERMISSION IS PROHIBITED.	
DRFT	JBJ
DATE	07/24/03
APVD	SCALE 1=2
UNIT OF MEASUREMENT	
<b>MILLIMETER [ INCH ]</b>	
DO NOT SCALE THIS DRAWING	

3000 CAMPUS DRIVE MINNEAPOLIS, MN 55441 1-800-544-7769 (763) 553-7300 (763) 553-0708 fax www.turck.us	
<b>TURCK</b>	
DESCRIPTION 8MBV12-5P3-CSV19	
IDENTIFICATION NO.	REV
U0934-43	B
FILE: U0934-43	SHEET 1 OF 1

B	UPDATED CLOSURE CAPS	TV	09/15/15	48811
REV	DESCRIPTION	BY	DATE	ECO NO.