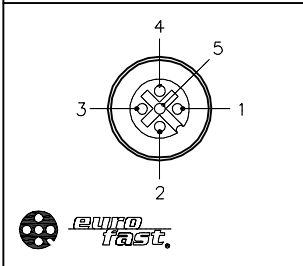


FEMALE END VIEW (J1-J8)



SPECIFICATIONS

CABLE DATA	
NUMBER OF CONDUCTORS [AWG]	11x18 AWG
DRAIN/SHIELD	20 AWG DRAIN/POLYESTER FOIL SHIELD
CONDUCTOR INSULATION MATERIAL	PVC
OUTTER JACKET MATERIAL/COLOR	PVC/YELLOW
MATERIAL	
HOUSING/COLOR	NYLON/BLACK
RECEPTACLE/FINISH	STAINLESS STEEL/PASSIVATED
CONTACT CARRIERS/COLOR	NYLON/BLACK
CONTACTS/PLATING	BRASS/GOLD
SEALING RING	FKM/FPM
ELECTRICAL DATA	
RATED VOLTAGE	10-48 VDC
RATED CURRENT	4.0 AMPS PER PORT, 9.0 AMPS TOTAL
LED CURRENT	12mA MAX AT 48VDC SUPPLY VOLTAGE(PER LED)
SPACINGS	to VDE 0110 GROUP C
MECHANICAL DATA	
PROTECTION CLASS to DIN 40050	IP 67 - ONLY WHEN ALL RECEPTACLES ARE COVERED WITH PLUGS OR CONNECTED
TEMPERATURE RANGE	-30°C to +80°C (-25°F to +176°F)

Female J1-J8

1=V+  
2=N/C  
3=V-  
4=Load 1  
5=Gnd

PORT	PINOUT
J1/4	1/WH
J1/2	N/C
J2/4	2/GN
J2/2	N/C
J3/4	3/YE
J3/2	N/C
J4/4	4/GY
J4/2	N/C
J5/4	5/PK
J5/2	N/C
J6/4	6/RD
J6/2	N/C
J7/4	7/BK
J7/2	N/C
J8/4	8/VT
J8/2	N/C

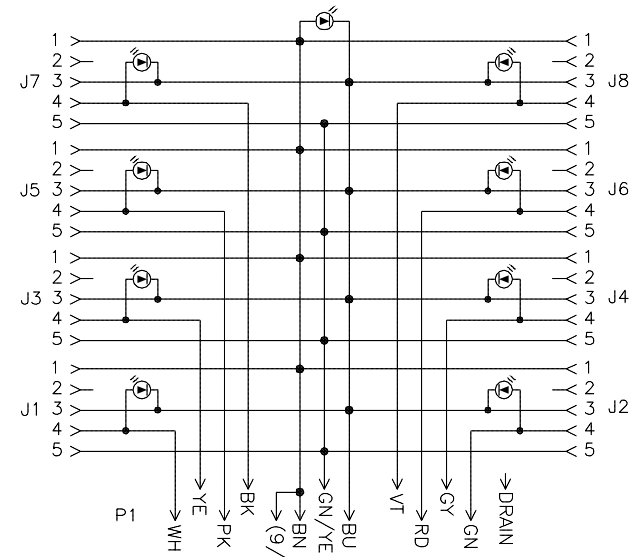
VOLTA	11/BN
VOLT-	10(9)/BU
GND	12/GN/YE

CLEARANCE HOLE FOR #8 SCREW 3 PLS

SIGNAL LED (YELLOW) 8 PLS

REMOVABLE LABEL (INCLUDED) 9 PLS

POWER LED (GREEN)



WIRING DIAGRAM

SOURCE DRAWING - FOR REFERENCE ONLY

CABLE LENGTH	TOLERANCE*
ALL LENGTHS	+ 4% (OR 50mm) OF LENGTH - 0% (OR 0mm) OF LENGTH WHICHEVER IS GREATER
STRIP LENGTH	TOLERANCE*
0-7mm	±0.5mm
8-29mm	±1.0mm
30-49mm	±2.0mm
50-69mm	±3.0mm
70-100mm	±4.0mm
OVER 100mm	±5.0mm

\* UNLESS OTHERWISE SPECIFIED

\* METERS SEE NOTE 1

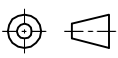


NOTES:  
1. "\*" INDICATES CABLE LENGTH IN METERS. CONTACT TURCK TO ORDER SPECIFIC LENGTHS.

RELATED DOCUMENTS

- 1.
- 2.
- 3.
- 4.

3RD ANGLE PROJECTION



THIS DRAWING IS CONFIDENTIAL AND THE PROPERTY OF TURCK INC. USE OF THIS DOCUMENT WITHOUT WRITTEN PERMISSION IS PROHIBITED.



3000 CAMPUS DRIVE  
MINNEAPOLIS, MN 55441  
1-800-544-7769  
(763) 553-7300  
(763) 553-0708 fax  
www.turck.us

MATERIAL	SEE SPECIFICATIONS
FINISH	SEE SPECIFICATIONS

ALL DIMENSIONS DISPLAYED ON THIS DRAWING ARE FOR REFERENCE ONLY

CONTACT TURCK FOR MORE INFORMATION

DRFT	RDS	DATE	10/22/02
APVD		SCALE	1=2
UNIT OF MEASUREMENT			
<b>MILLIMETER [ INCH ]</b>			

DESCRIPTION		8MBV12-4P2-*	
IDENTIFICATION NO.		REV	
		D	
DO NOT SCALE THIS DRAWING		FILE: 777001323	SHEET 1 OF 1

D	UPDATED SEALING RING MATERIAL PER ECO	TV	08/10/16	56141
REV	DESCRIPTION	BY	DATE	ECO NO.