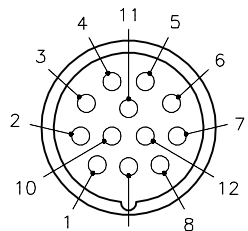
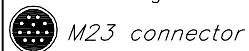
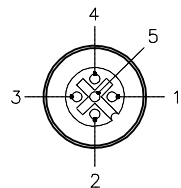


MALE END VIEW

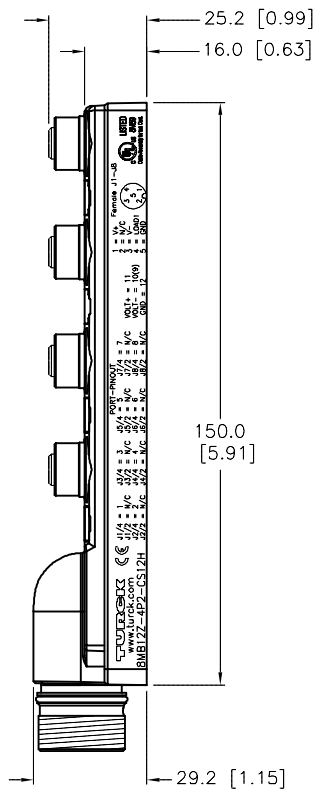
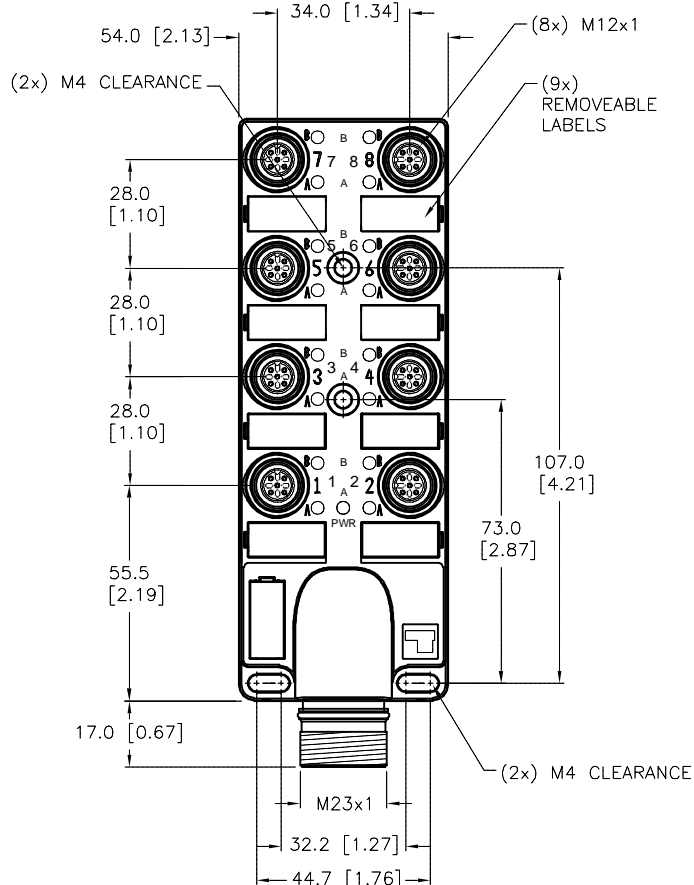


FEMALE END VIEW

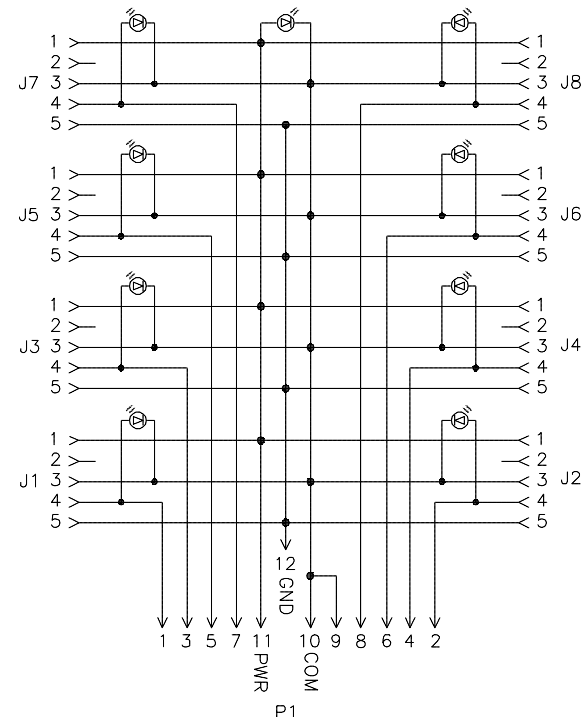


SPECIFICATIONS

HOUSING MATERIAL/COLOR	NYLON/BLACK
RECEPTACLE MATERIAL/PLATING	BRASS/NICKEL
CONTACT CARRIERS	NYLON
CONTACT CARRIER MATERIAL/PLATING	BRASS/GOLD
O-RING MATERIAL	NBR (P1), VITON (J1-J8)
OPERATING VOLTAGE	10-30 VDC
OPERATING CURRENT	4.0 AMPS/SIGNAL, 9.0 AMPS TOTAL
PROTECTION CLASS	IP67,IP69K; ONLY WHEN ALL RECEPTACLES ARE COVERED WITH PLUGS OR CONNECTED
OPERATING TEMPERATURE	-40°C to +85°C (-40°F to +185°F)



WIRING DIAGRAM



SOURCE DRAWING - FOR REFERENCE ONLY

RELATED DOCUMENTS 1. 2. 3. 4.	3RD ANGLE PROJECTION 	THIS DRAWING IS CONFIDENTIAL AND THE PROPERTY OF TURCK INC. USE OF THIS DOCUMENT WITHOUT WRITTEN PERMISSION IS PROHIBITED.		3000 CAMPUS DRIVE MINNEAPOLIS, MN 55441 1-800-544-7769 (763) 553-7300 (763) 553-0708 fax www.turck.us	
		MATERIAL SEE SPECIFICATIONS	DRFT RDS APVD SWC	DATE 11/23/04 SCALE 1=2	DESCRIPTION 8MB12Z-4P2-CS12H
FINISH SEE SPECIFICATIONS	ALL DIMENSIONS DISPLAYED ON THIS DRAWING ARE FOR REFERENCE ONLY	UNIT OF MEASUREMENT MILLIMETER [INCH]		IDENTIFICATION NO. E8026484	
CONTACT TURCK FOR MORE INFORMATION		DO NOT SCALE THIS DRAWING		REV H	
H ADD CE SYMBOL NF 08/31/18 66305		REV DESCRIPTION BY DATE ECO NO.		FILE: E8026484 SHEET 1 OF 1	

