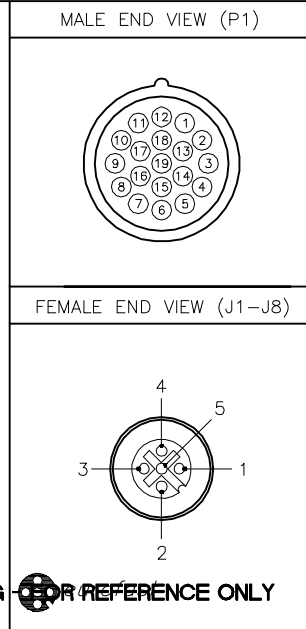
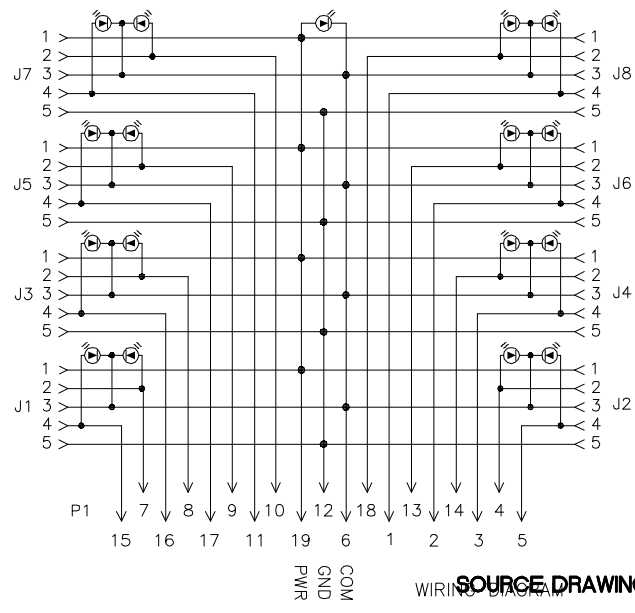


PANEL CUTOUT (TYPICAL)	SPECIFICATIONS	
	CABLE DATA	
BASIC THRU $\varnothing 25.0 \pm 0.1$ $[\varnothing 0.98 \pm 0.04]$	NUMBER OF CONDUCTORS [AWG]	3x18 AWG/16x22 AWG
	DRAIN/SHIELD	20 AWG DRAIN/POLYESTER FOIL SHIELD
	CONDUCTOR INSULATION MATERIAL	PVC
	OUTTER JACKET MATERIAL/COLOR	PVC/YELLOW
NON-ROTATIONAL THRU 9.3 [0.37] REF. 11.6 [0.46]	MATERIAL	
	HOUSING/COLOR	NYLON/BLACK
	RECEPTACLES MATERIAL/PLATING	BRASS/NICKEL
	CONTACT CARRIERS	NYLON (J1-J8) NYLON OR PBT (P1)
	CONTACT MATERIAL/PLATING	BRASS/GOLD
	SEALING RING	FKM/FPM (J1-J8) BUNA N OR FLUOR RUBBER (P1)
	ELECTRICAL DATA	
	OPERATING VOLTAGE	10-48 VDC
	OPERATING CURRENT	4.0 AMPS PER PORT, 8.0 AMPS TOTAL
	LED CURRENT	12mA MAX AT 48VDC SUPPLY VOLTAGE(PER LED)
	SPACINGS (J1-J8)	to VDE 0110 GROUP C
	MECHANICAL DATA	
	PROTECTION CLASS to DIN 40050	IP 67 - ONLY WHEN ALL RECEPTACLES ARE COVERED WITH PLUGS OR CONNECTED
	OPERATING TEMPERATURE	-30°C to +80°C (-25°F to +176°F)



CABLE LENGTH	TOLERANCE*
ALL LENGTHS	+ 4% (OR 50mm) OF LENGTH - 0% (OR 0mm) OF LENGTH WHICHEVER IS GREATER
STRIP LENGTH	TOLERANCE*
0-7mm	±0.5mm
8-29mm	±1.0mm
30-49mm	±2.0mm
50-69mm	±3.0mm
70-100mm	±4.0mm
OVER 100mm	±5.0mm

* UNLESS OTHERWISE SPECIFIED

NOTES:
 1. "*" INDICATES CABLE LENGTH IN METERS. CONTACT TURCK TO ORDER SPECIFIC LENGTHS.



F	UPDATED SEALING RING MATERIAL PER ECO	TV	08/11/16	56141
REV	DESCRIPTION	BY	DATE	ECO NO.

RELATED DOCUMENTS 1. 2. 3. 4.	3RD ANGLE PROJECTION 	THIS DRAWING IS CONFIDENTIAL AND THE PROPERTY OF TURCK INC. USE OF THIS DOCUMENT WITHOUT WRITTEN PERMISSION IS PROHIBITED.		3000 CAMPUS DRIVE MINNEAPOLIS, MN 55441 1-800-544-7769 (763) 553-7300 (763) 553-0708 fax www.turck.us	
		MATERIAL SEE SPECIFICATIONS	DRFT DD DATE 09/04/03	APVD SCALE 1=2.0	DESCRIPTION TURCK 8MB12-5P3-*--CSFD19
FINISH SEE SPECIFICATIONS	ALL DIMENSIONS DISPLAYED ON THIS DRAWING ARE FOR REFERENCE ONLY CONTACT TURCK FOR MORE INFORMATION	UNIT OF MEASUREMENT MILLIMETER [INCH]		IDENTIFICATION NO.	REV F
DO NOT SCALE THIS DRAWING		FILE: 777002531		SHEET 1 OF 1	