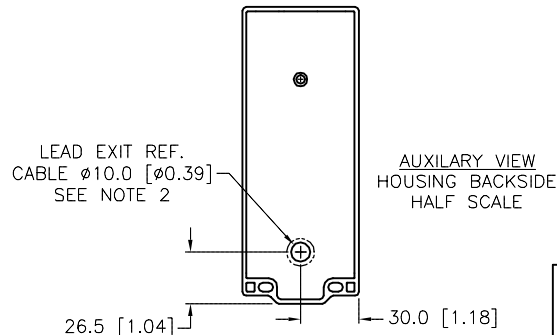
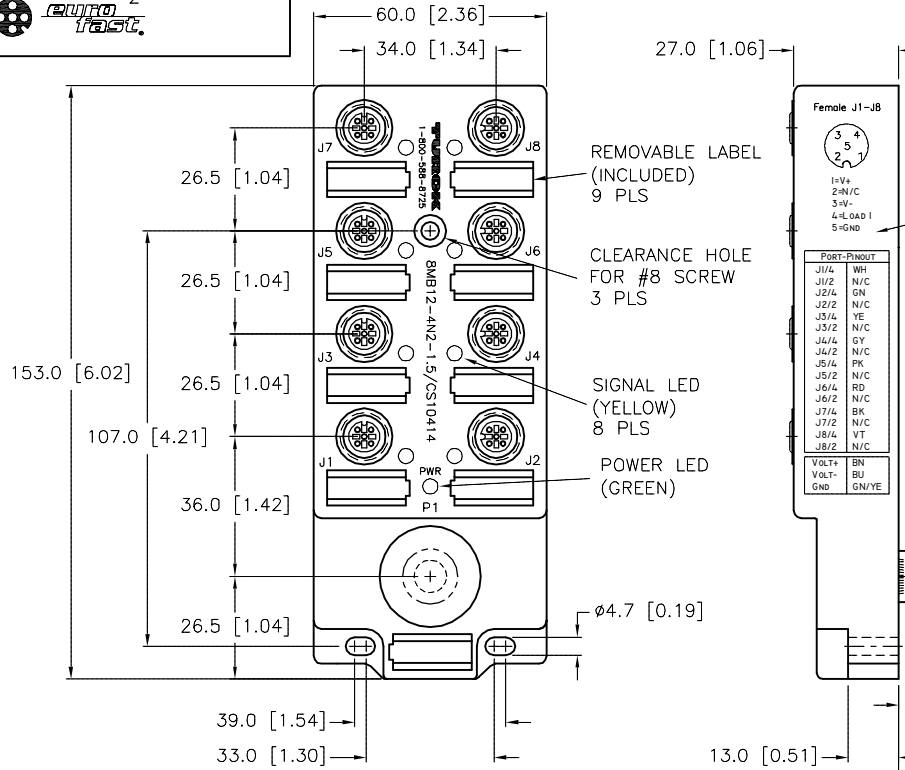
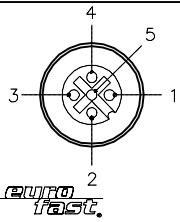
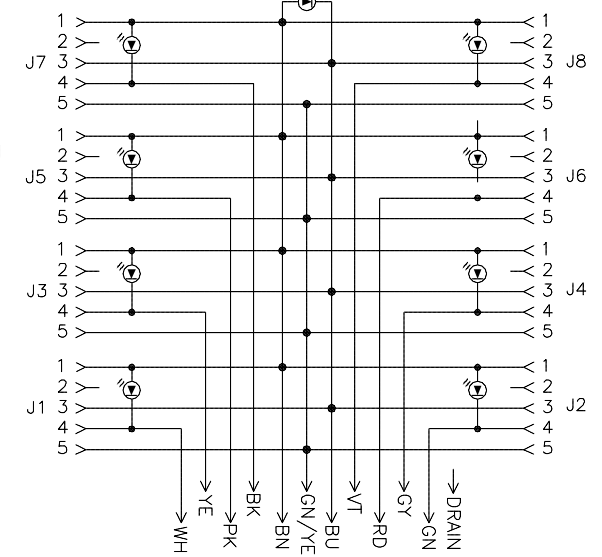
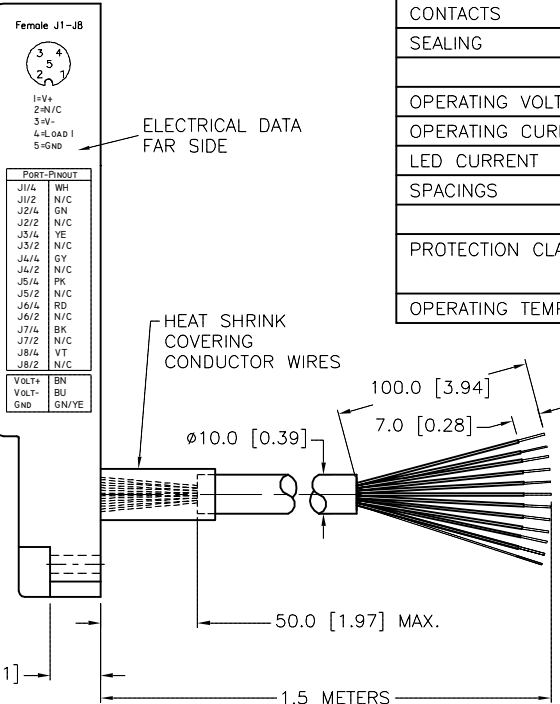


FEMALE END VIEW (J1-J8)



SPECIFICATIONS	
CABLE DATA	
NUMBER OF CONDUCTORS [AWG]	11x18 AWG
DRAIN/SHIELD	20 AWG DRAIN/POLYESTER FOIL SHIELD
CONDUCTOR INSULATION MATERIAL	PVC
OUTTER JACKET MATERIAL/COLOR	PVC/YELLOW
MATERIAL	
HOUSING/COLOR	NYLON/BLACK
RECEPTACLE/FINISH	STAINLESS STEEL/PASSIVATED
CONTACT CARRIERS/COLOR	NYLON/BLACK
CONTACTS	BRASS/GOLD
SEALING	FKM/FPM
ELECTRICAL DATA	
OPERATING VOLTAGE	10-48 VDC
OPERATING CURRENT	4.0 AMPS PER PORT, 9.0 AMPS TOTAL
LED CURRENT	12mA MAX AT 48VDC SUPPLY VOLTAGE(PER LED)
SPACINGS	to VDE 0110 GROUP C
MECHANICAL DATA	
PROTECTION CLASS to DIN 40050	IP 67 - ONLY WHEN ALL RECEPTACLES ARE COVERED WITH PLUGS OR CONNECTED
OPERATING TEMPERATURE	-30°C to +80°C (-25°F to +176°F)



WIRING DIAGRAM SOURCE DRAWING - FOR REFERENCE ONLY

- NOTES:
1. "/CS10414" DESIGNATES CUSTOM WIRED NPN JUNCTION BOX, REAR EXIT CABLE STAINLESS STEEL RECEPTACLES.
 2. RECOMMEND PANEL DRILL SIZE FOR CABLE THRU IS ø14.28 [0.625] MINIMUM.

RELATED DOCUMENTS 1. 2. 3. 4.	3RD ANGLE PROJECTION	THIS DRAWING IS CONFIDENTIAL AND THE PROPERTY OF TURCK INC. USE OF THIS DOCUMENT WITHOUT WRITTEN PERMISSION IS PROHIBITED.	3000 CAMPUS DRIVE MINNEAPOLIS, MN 55441 1-800-544-7769 (763) 553-7300 (763) 553-0708 fax www.turck.us	
	MATERIAL SEE SPECIFICATIONS		DRFT JBJ DATE 12/27/01	
FINISH SEE SPECIFICATIONS	ALL DIMENSIONS DISPLAYED ON THIS DRAWING ARE FOR REFERENCE ONLY	APVD	SCALE 1=2	
		UNIT OF MEASUREMENT MILLIMETER [INCH]		IDENTIFICATION NO. U0878-83
		CONTACT TURCK FOR MORE INFORMATION		REV F
		DO NOT SCALE THIS DRAWING		FILE: U0878-83
				SHEET 1 OF 1

F	UPDATED SEALING RING MATERIAL PER ECO	TV	09/06/16	56407
REV	DESCRIPTION	BY	DATE	ECO NO.