



GAST MANUFACTURING, INC.
 A Unit of IDEX Corporation
 Post Office Box 97
 Benton Harbor, Michigan
 Ph: 269/926-6171
 Fax: 269/925-8288

PART NO.

RTD963
 (SHT 1 OF 2)

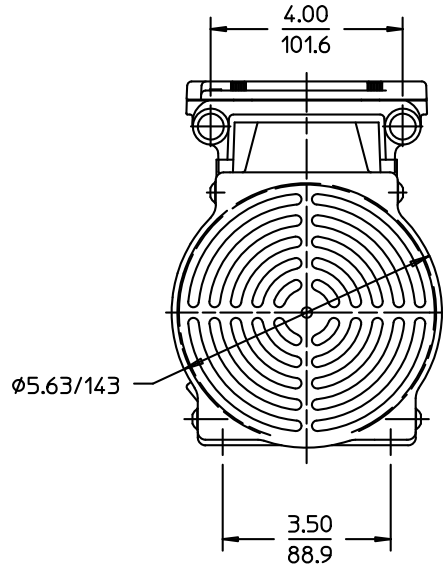
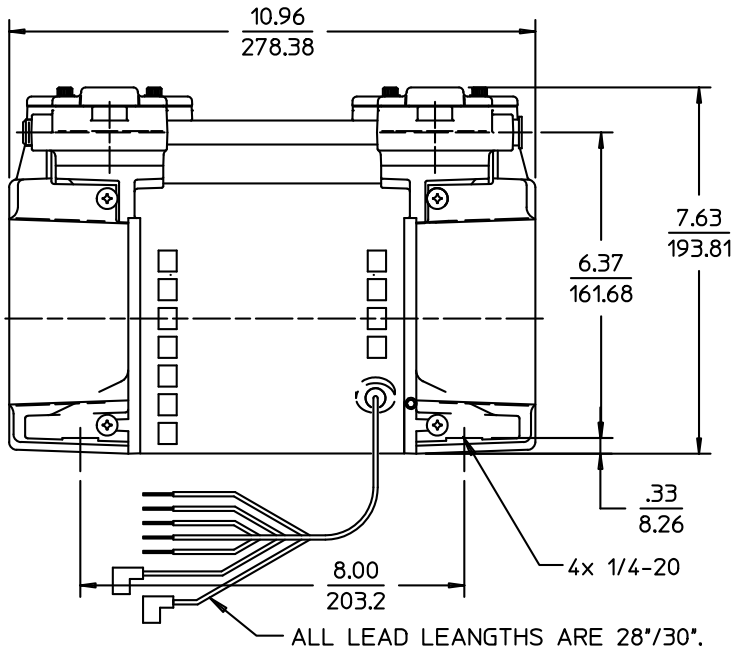
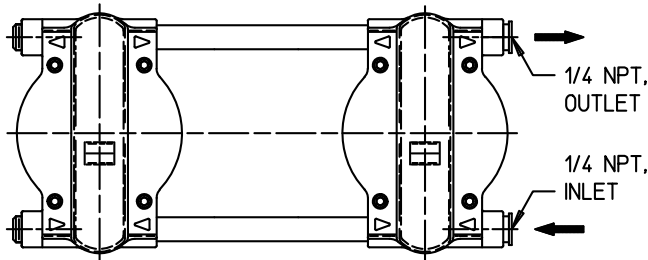
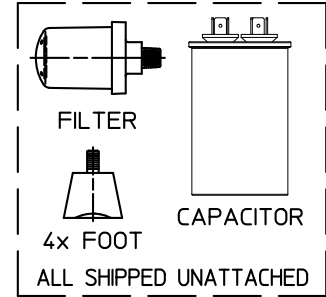
REV.

A

SOUND LEVEL Less Than 70 dB(A)
 NORMAL AMBIENT +5 degC - +40 degC
 RELATIVE HUMIDITY 20% - 80%
 ENVIRONMENT Clean Dust Free
 REGULATORY cURus, CE

NOTES:

1. ALL DIMENSIONS ARE FOR REFERENCE USE ONLY.
2. PRODUCT DIMENSIONS: U.S. IMPERIAL (inches) METRIC (mm).
3. * = TECHNICAL DATA SUBJECT TO CHANGE WITHOUT NOTICE.
4. INSTALLATION: THIS PUMP MUST BE INSTALLED IN AN ENCLOSURE.
5. INCLUDES AN ELECTRICAL PARTS KIT, AND A CAPACITOR MTG. KIT.



Product Specifications

Model Number	VOLTS (SINGLE PHASE ONLY)	Hz	RPM	HP	kW	Net Wt.		AMPS	CAPACITOR mfd. - volts
						lbs.	kg		
72R655-P163D-N570X	115-120 / 230-240	60	1725	3/4	.56	16	7.3	7.9/4.0	45 - 370
	110-120 / 220-240	50	1425					7.7/4.0	



GAST MANUFACTURING, INC.
A Unit of IDEX Corporation
Post Office Box 97
Benton Harbor, Michigan
Ph: 269/926-6171
Fax: 269/925-8288

PART NO.

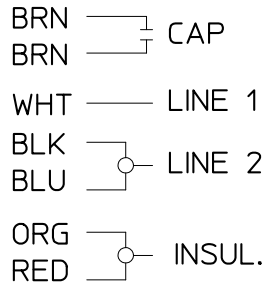
RTD963
(SHT 2 of 2)

REV.

A

WIRING DIAGRAM

LOW VOLTAGE



HIGH VOLTAGE

