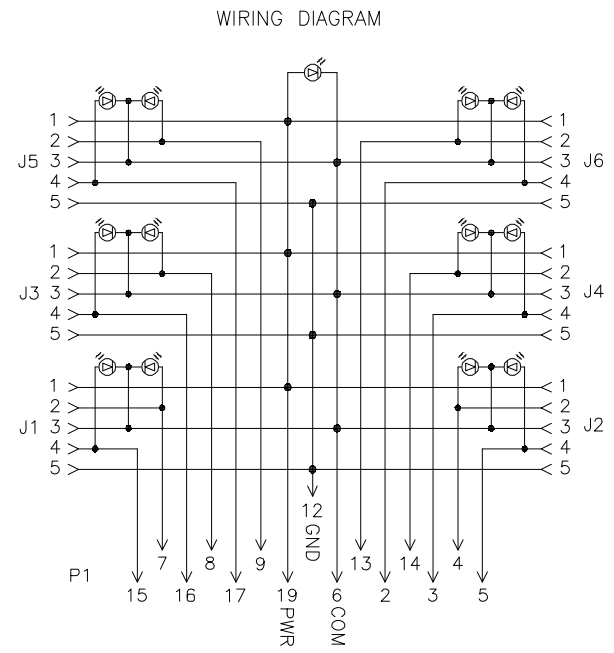
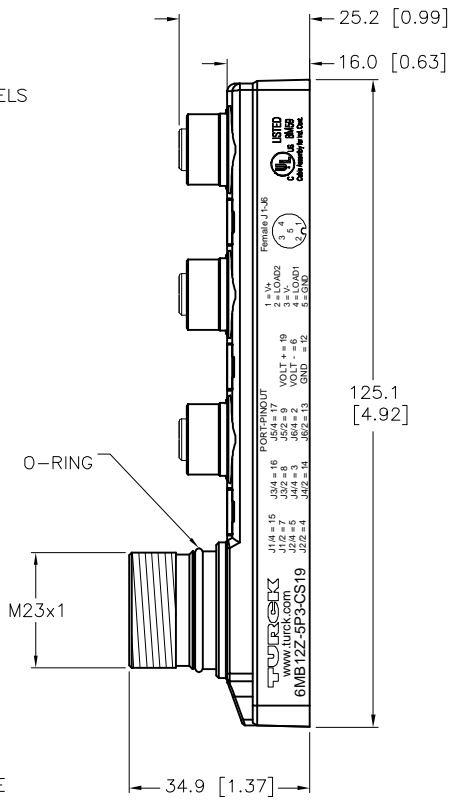
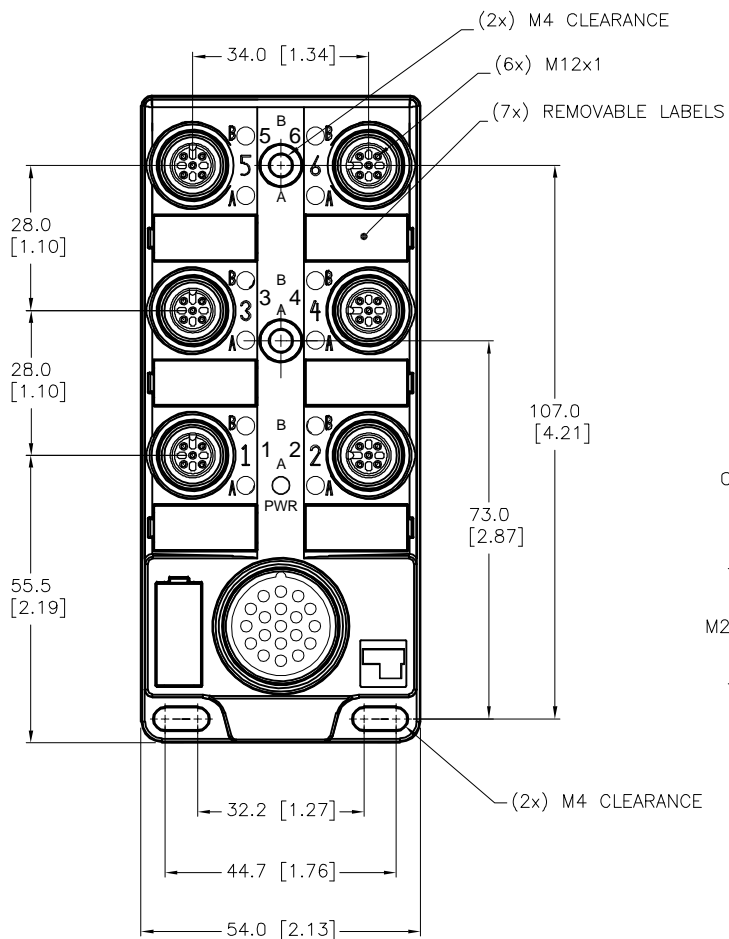


SPECIFICATIONS	
HOUSING MATERIAL/COLOR	NYLON/BLACK
RECEPTACLE MATERIAL/PLATING	BRASS/NICKEL
CONTACT CARRIER MATERIAL	NYLON
CONTACT MATERIAL/PLATING	BRASS/GOLD
O-RING MATERIAL	VITON (J1-J6), NBR (P1)
OPERATING VOLTAGE	10-30 VDC
OPERATING CURRENT	2.0 AMPS PER SIGNAL, 9.0 AMPS TOTAL
PROTECTION CLASS	IP67, IP69K: ONLY WHEN ALL RECEPTACLES ARE COVERED WITH PLUGS OR CONNECTED
OPERATING TEMPERATURE	-40°C to +85°C (-40°F to +185°F)



SOURCE DRAWING - FOR REFERENCE ONLY

RELATED DOCUMENTS		3RD ANGLE PROJECTION		THIS DRAWING IS CONFIDENTIAL AND THE PROPERTY OF TURCK INC. USE OF THIS DOCUMENT WITHOUT WRITTEN PERMISSION IS PROHIBITED.		3000 CAMPUS DRIVE MINNEAPOLIS, MN 55441 1-800-544-7769 (763) 553-7300 (763) 553-0708 fax www.turck.us	
1.				DRFT	TR	DATE	08/29/12
2.				APVD	K.H.	SCALE	1=1.5
3.		ALL DIMENSIONS DISPLAYED ON THIS DRAWING ARE FOR REFERENCE ONLY CONTACT TURCK FOR MORE INFORMATION	UNIT OF MEASUREMENT		DESCRIPTION		IDENTIFICATION NO. REV
4.			MILLIMETER [INCH]		6MB12Z-5P3-CS19		
MATERIAL	SEE BOM	DO NOT SCALE THIS DRAWING		FILE: U2-19916		SHEET 1 OF 1	
FINISH	SEE BOM						

E	UPDATE RATED OPERATING CURRENT	RDS	10/09/17	57053
REV	DESCRIPTION	BY	DATE	ECO NO.