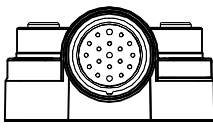
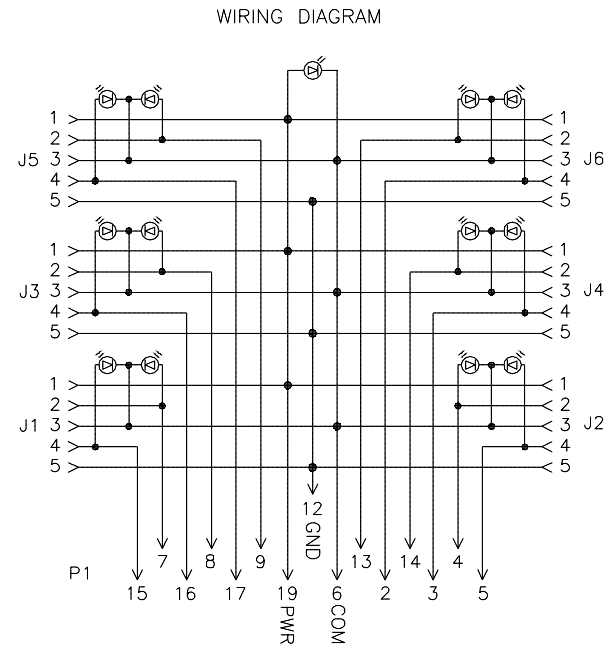
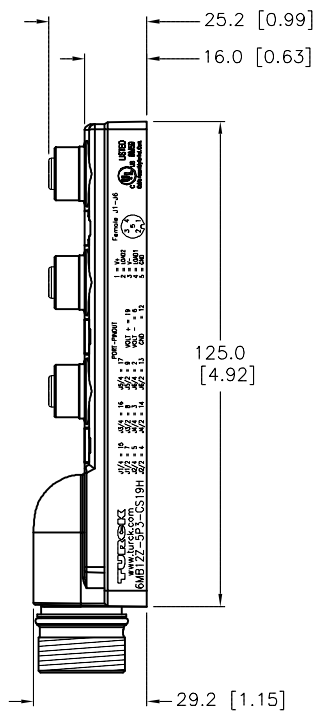
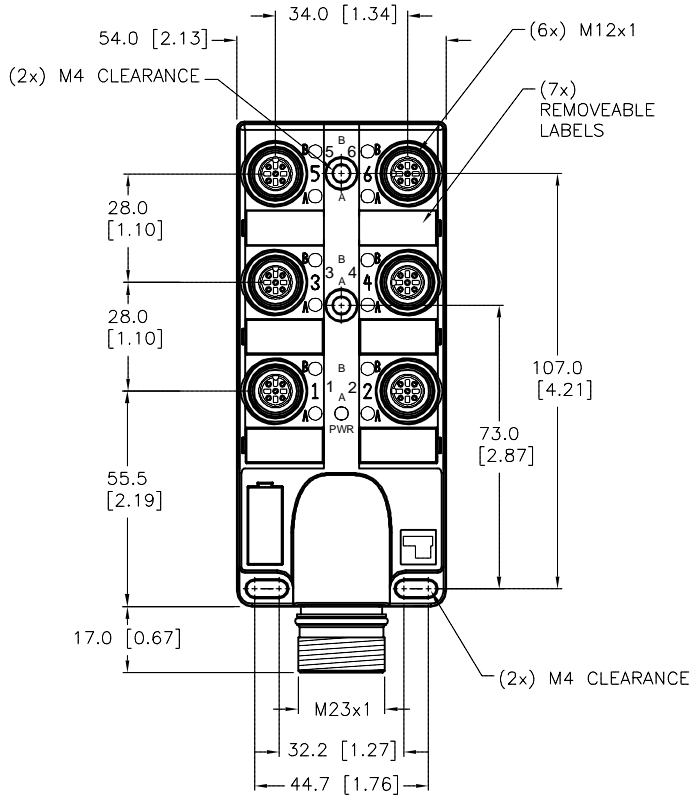


SPECIFICATIONS	
HOUSING MATERIAL/COLOR	NYLON/BLACK
RECEPTACLE MATERIAL/PLATING	BRASS/NICKEL
CONTACT CARRIERS	NYLON
CONTACT CARRIER MATERIAL/PLATING	BRASS/GOLD
O-RING MATERIAL	NBR (P1), VITON (J1-J6)
OPERATING VOLTAGE	10-30 VDC
OPERATING CURRENT	2.0 AMPS/SIGNAL, 9.0 AMPS TOTAL
PROTECTION CLASS	IP67, IP69K; ONLY WHEN ALL RECEPTACLES ARE COVERED WITH PLUGS OR CONNECTED
OPERATING TEMPERATURE	-40°C to +85°C (-40°F to +185°F)



SOURCE DRAWING - FOR REFERENCE ONLY

RELATED DOCUMENTS 1. 2. 3. 4.	3RD ANGLE PROJECTION 	THIS DRAWING IS CONFIDENTIAL AND THE PROPERTY OF TURCK INC. USE OF THIS DOCUMENT WITHOUT WRITTEN PERMISSION IS PROHIBITED.		3000 CAMPUS DRIVE MINNEAPOLIS, MN 55441 1-800-544-7769 (763) 553-7300 (763) 553-0708 fax www.turck.us				
		MATERIAL  SEE SPECIFICATIONS	DRFT RDS APVD J.S.	DATE 08/06/12 SCALE 1=2	DESCRIPTION 6MB12Z-5P3-CS19H			
		FINISH  SEE SPECIFICATIONS	ALL DIMENSIONS DISPLAYED ON THIS DRAWING ARE FOR REFERENCE ONLY  CONTACT TURCK FOR MORE INFORMATION	UNIT OF MEASUREMENT <b>MILLIMETER [ INCH ]</b>			IDENTIFICATION NO. U2-19922	REV E
		DO NOT SCALE THIS DRAWING			FILE: U2-19922	SHEET 1 OF 1		

E	UPDATE RATED OPERATING CURRENT	RDS	10/09/17	57053
REV	DESCRIPTION	BY	DATE	ECO NO.