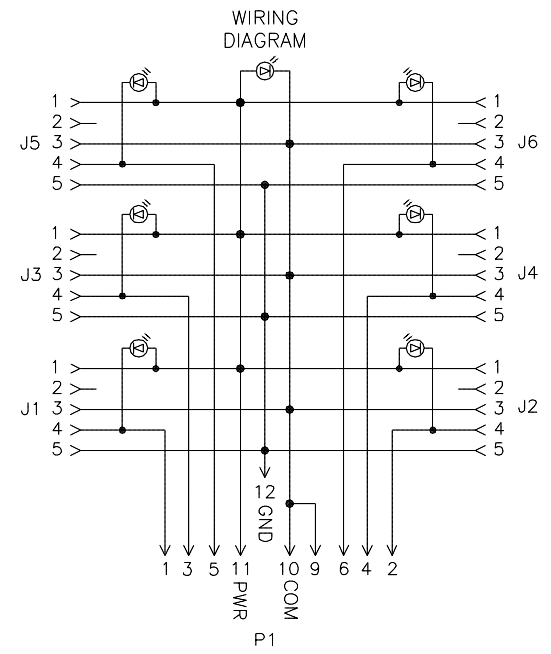
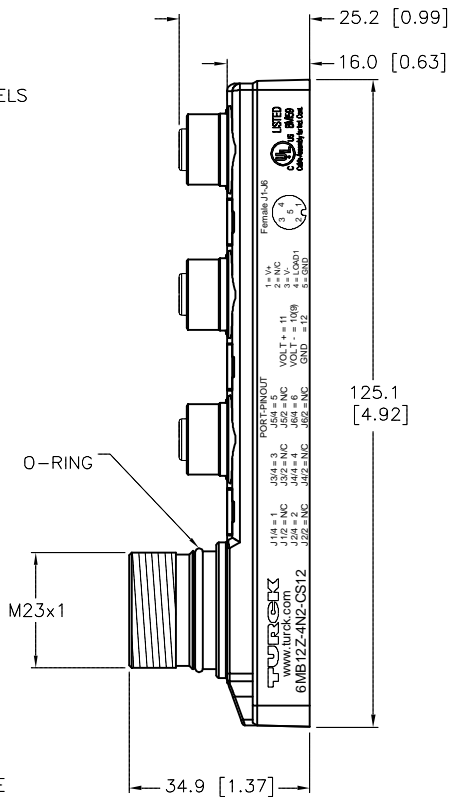
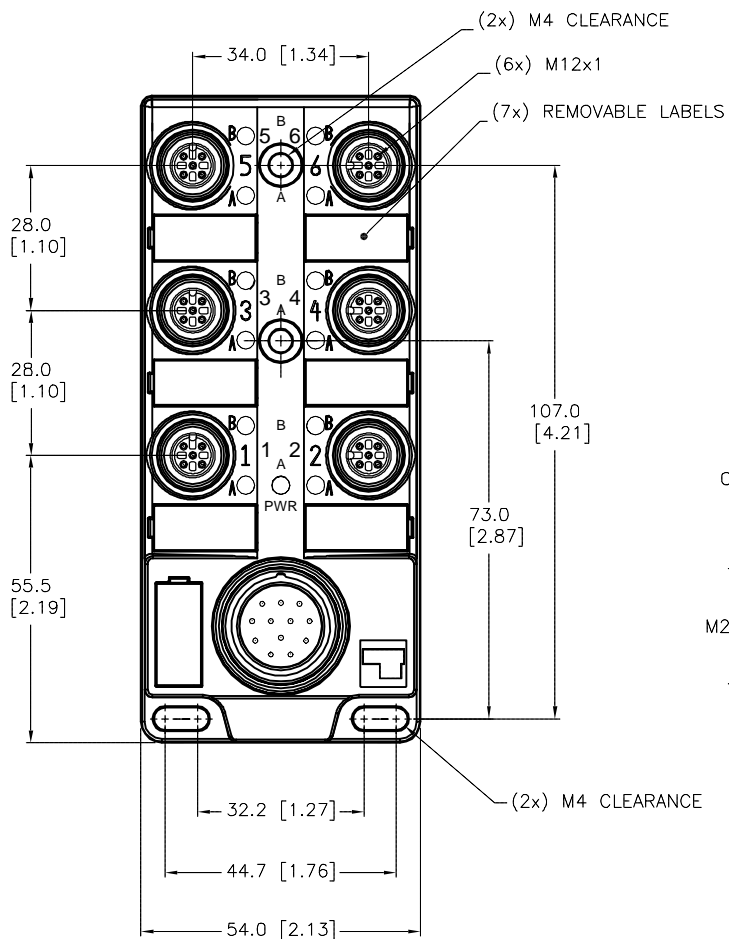


SPECIFICATIONS	
HOUSING MATERIAL/COLOR	NYLON/BLACK
RECEPTACLE MATERIAL/PLATING	BRASS/NICKEL
CONTACT CARRIER MATERIAL	NYLON
CONTACT MATERIAL/PLATING	BRASS/GOLD
O-RING MATERIAL	VITON (J1-J6), NBR (P1)
OPERATING VOLTAGE	10-30 VDC
OPERATING CURRENT	2.0 AMPS PER SIGNAL, 9.0 AMPS TOTAL
PROTECTION CLASS	IP67, IP69K: ONLY WHEN ALL RECEPTACLES ARE COVERED WITH PLUGS OR CONNECTED
OPERATING TEMPERATURE	-40°C to +85°C (-40°F to +185°F)



SOURCE DRAWING - FOR REFERENCE ONLY

RELATED DOCUMENTS 1. 2. 3. 4.	3RD ANGLE PROJECTION 	THIS DRAWING IS CONFIDENTIAL AND THE PROPERTY OF TURCK INC. USE OF THIS DOCUMENT WITHOUT WRITTEN PERMISSION IS PROHIBITED.		3000 CAMPUS DRIVE MINNEAPOLIS, MN 55441 1-800-544-7769 (763) 553-7300 (763) 553-0708 fax turck.com	
		DRFT TR	DATE 08/29/12	DESCRIPTION 6MB12Z-4N2-CS12	
MATERIAL SEE BOM	ALL DIMENSIONS DISPLAYED ON THIS DRAWING ARE FOR REFERENCE ONLY	APVD K.H.	SCALE 1=1.5	IDENTIFICATION NO. U2-19914	
FINISH SEE BOM		UNIT OF MEASUREMENT MILLIMETER [INCH]		REV C	
C UPDATE PROTECTION CLASS		RDS	05/21/14	45752	
REV DESCRIPTION		BY	DATE	ECO NO.	
		DO NOT SCALE THIS DRAWING		FILE: U2-19914	SHEET 1 OF 1

C	UPDATE PROTECTION CLASS	RDS	05/21/14	45752
REV	DESCRIPTION	BY	DATE	ECO NO.