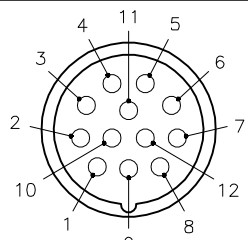
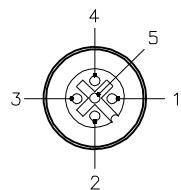


MALE END VIEW



FEMALE END VIEW

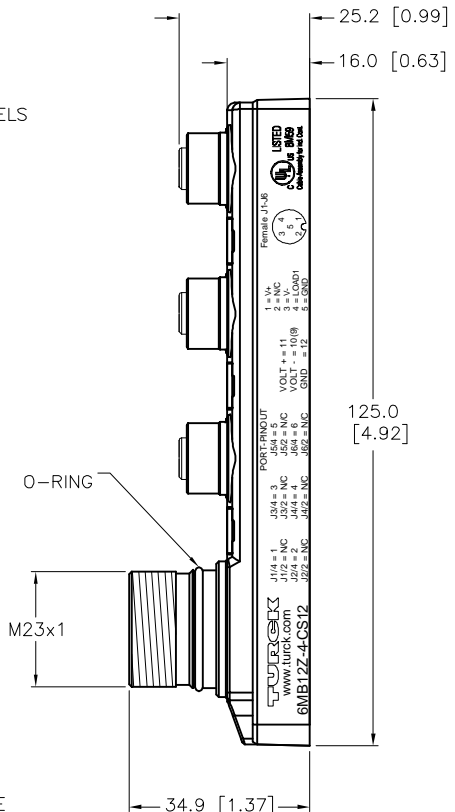
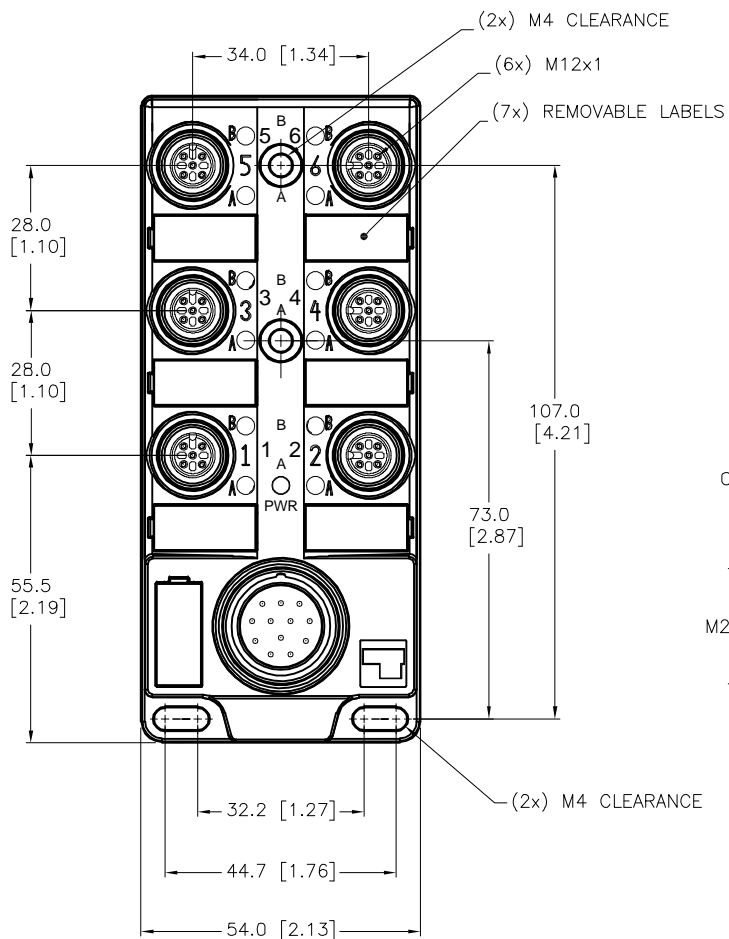


M23 connector (P1)

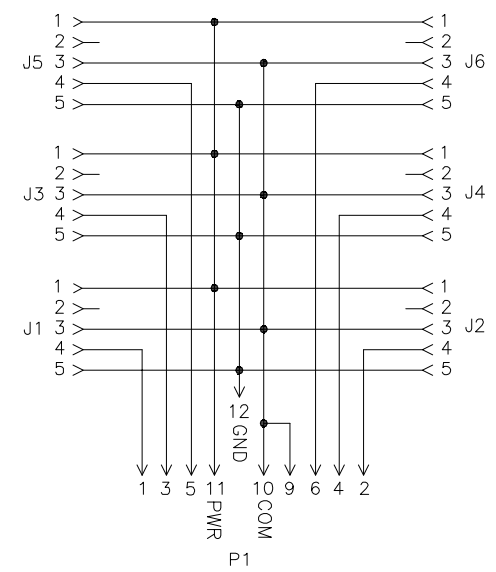
(J1-J6)

SPECIFICATIONS

HOUSING MATERIAL/COLOR	NYLON/BLACK
RECEPTACLE MATERIAL/PLATING	BRASS/NICKEL
CONTACT CARRIER MATERIAL	NYLON
CONTACT MATERIAL/PLATING	BRASS/GOLD
O-RING MATERIAL	VITON (J1-J6), NBR (P1)
OPERATING VOLTAGE	250 VDC
OPERATING CURRENT	4.0 AMPS PER SIGNAL, 9.0 AMPS TOTAL
PROTECTION CLASS	IP67, IP69K: ONLY WHEN ALL RECEPTACLES ARE COVERED WITH PLUGS OR CONNECTED
OPERATING TEMPERATURE	-40°C to +85°C (-40°F to +185°F)



WIRING DIAGRAM



SOURCE DRAWING - FOR REFERENCE ONLY

RELATED DOCUMENTS 1. 2. 3. 4.	3RD ANGLE PROJECTION 	THIS DRAWING IS CONFIDENTIAL AND THE PROPERTY OF TURCK INC. USE OF THIS DOCUMENT WITHOUT WRITTEN PERMISSION IS PROHIBITED.		3000 CAMPUS DRIVE MINNEAPOLIS, MN 55441 1-800-544-7769 (763) 553-7300 (763) 553-0708 fax www.turck.us	
		DRFT TR	DATE 08/29/12	DESCRIPTION 6MB12Z-4-CS12	
MATERIAL SEE BOM	ALL DIMENSIONS DISPLAYED ON THIS DRAWING ARE FOR REFERENCE ONLY	APVD K.H.	SCALE 1=1.5	IDENTIFICATION NO. U2-19912	
FINISH SEE BOM		UNIT OF MEASUREMENT MILLIMETER [INCH]		REV D	
D UPDATE CURRENT AND VOLTAGE RATINGS		RDS	09/13/17	57053	DO NOT SCALE THIS DRAWING
REV DESCRIPTION		BY	DATE	ECO NO.	FILE: U2-19912
					SHEET 1 OF 1