

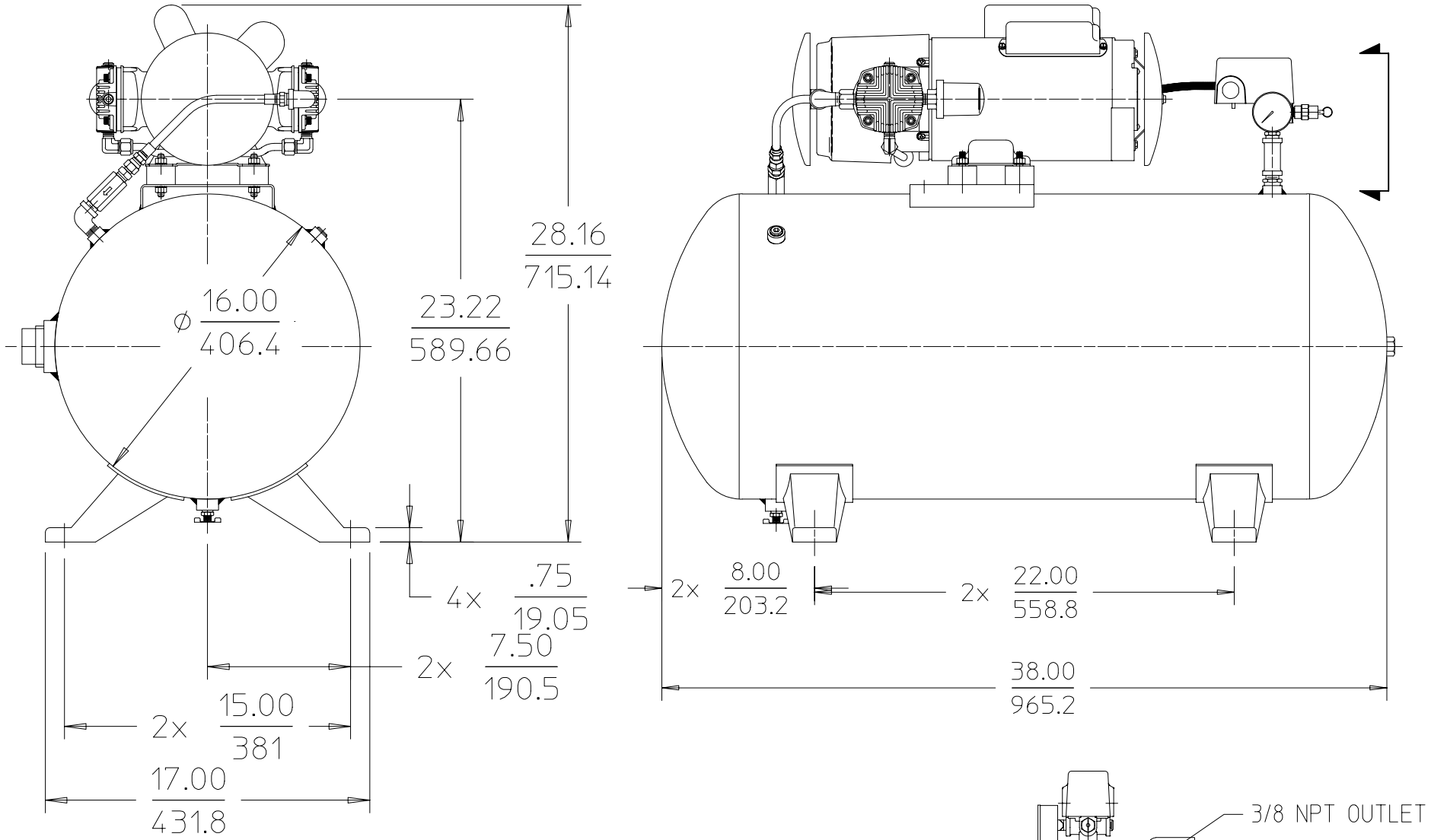
Product Specifications



GAST MANUFACTURING, INC.
 A Unit of IDEX Corporation
 Post Office Box 97
 Benton Harbor, Michigan
 Ph: 269/926-6171
 Fax: 269/925-8288

Model	V	HP	kW	Hz	Part Number:	Revision
6LCF-46T-M616NEX	115/230	1.0	0.74	60	RTD727	B

- 1725
- 75-81dBA
- $+5$
- $+40$
°C
- 20-80
- 169 lbs.
76.4 kg



- NOTES:
1. ALL DIMENSIONS ARE FOR REFERENCE USE ONLY.
 2. PRODUCT DIMENSIONS: U.S. IMPERIAL (inches) METRIC (mm).
 3. TECHNICAL DATA SUBJECT TO CHANGE WITHOUT NOTICE.
 4. ENVIRONMENT: CLEAN DUST FREE.
 5. FACTORY SETTING: CUT-IN 30 PSI± 2 PSI/CUT-OUT 50 PSI ±2 PSI.

PRODUCT PERFORMANCE

