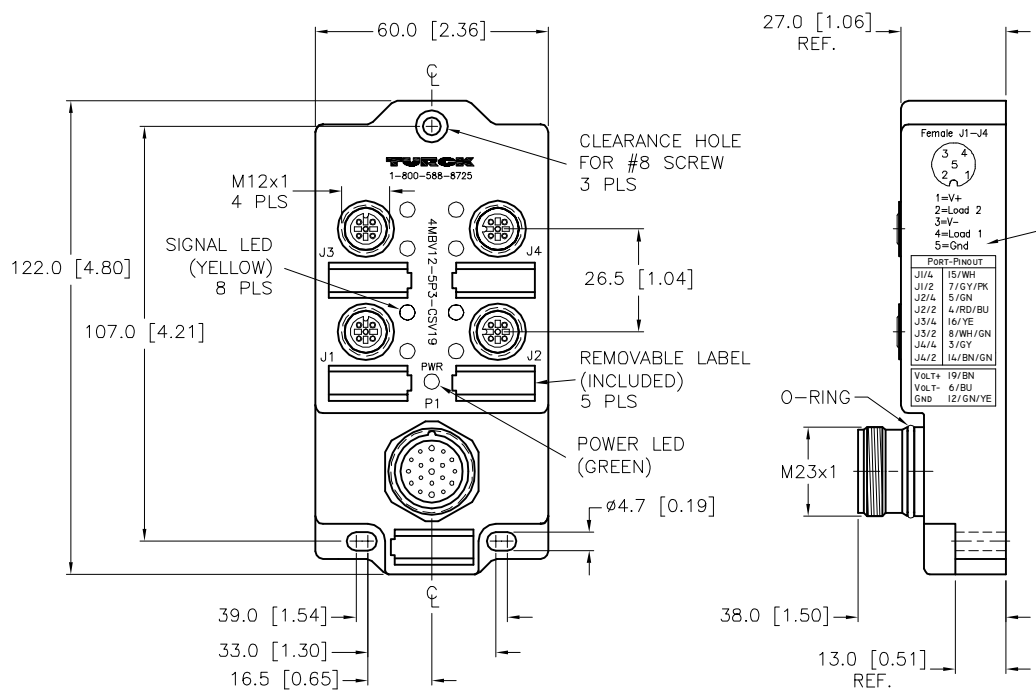
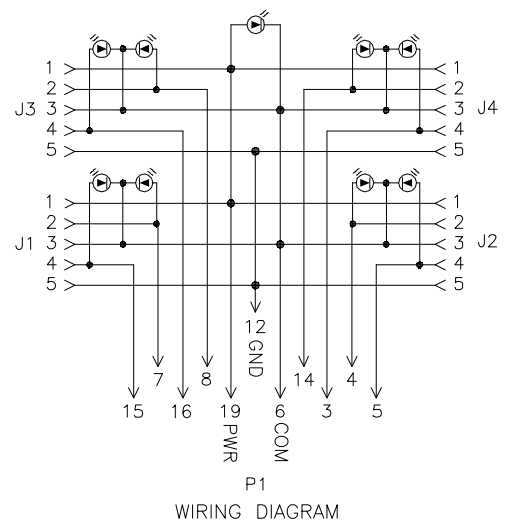


SPECIFICATIONS	
MATERIAL	
HOUSING/COLOR	NYLON/BLACK
RECEPTACLES	STAINLESS STEEL/PASSIVATED
CONTACT CARRIERS/COLOR	NYLON/BLACK (J1-J4), PBT/WHITE (P1)
CONTACTS	GOLD-PLATED BRASS
SEALING RING	VITON O-RINGS
ELECTRICAL DATA	
OPERATING VOLTAGE	10-48 VDC
OPERATING CURRENT	4.0 AMPS PER PORT, 8.0 AMPS TOTAL
LED CURRENT	12mA MAX AT 48VDC SUPPLY VOLTAGE(PER LED)
SPACINGS	to VDE 0110 GROUP C
MECHANICAL DATA	
PROTECTION CLASS to DIN 40050	IP 67 - ONLY WHEN ALL RECEPTACLES ARE COVERED WITH PLUGS OR CONNECTED
OPERATING TEMPERATURE	-30°C to +80°C (-25°F to +176°F)



ELECTRICAL DATA PRINTED FAR SIDE



SOURCE DRAWING - FOR REFERENCE ONLY



CLOSURE CAPS (2 INCLUDED)

RELATED DOCUMENTS 1. 2. 3. 4.	3RD ANGLE PROJECTION 	THIS DRAWING IS CONFIDENTIAL AND THE PROPERTY OF TURCK INC. USE OF THIS DOCUMENT WITHOUT WRITTEN PERMISSION IS PROHIBITED.		3000 CAMPUS DRIVE MINNEAPOLIS, MN 55441 1-800-544-7769 (763) 553-7300 (763) 553-0708 fax www.turck.us	
		MATERIAL SEE SPECIFICATIONS	DRFT DD APVD	DATE 10/10/03 SCALE 1=2	DESCRIPTION 4MBV12-5P3-CSV19
FINISH SEE SPECIFICATIONS	ALL DIMENSIONS DISPLAYED ON THIS DRAWING ARE FOR REFERENCE ONLY CONTACT TURCK FOR MORE INFORMATION	UNIT OF MEASUREMENT MILLIMETER [INCH]		IDENTIFICATION NO. U0943-97	REV C
C UPDATED CLOSURE CAPS REV DESCRIPTION	TV 09/15/15 BY DATE ECO NO.	DO NOT SCALE THIS DRAWING		FILE: U0943-97	SHEET 1 OF 1