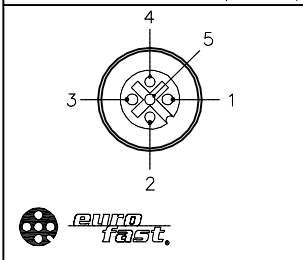
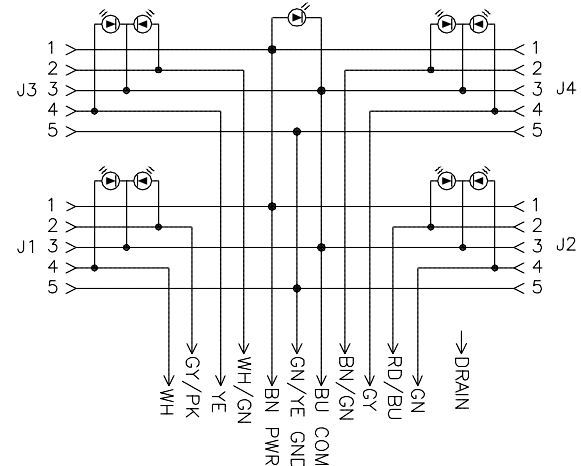
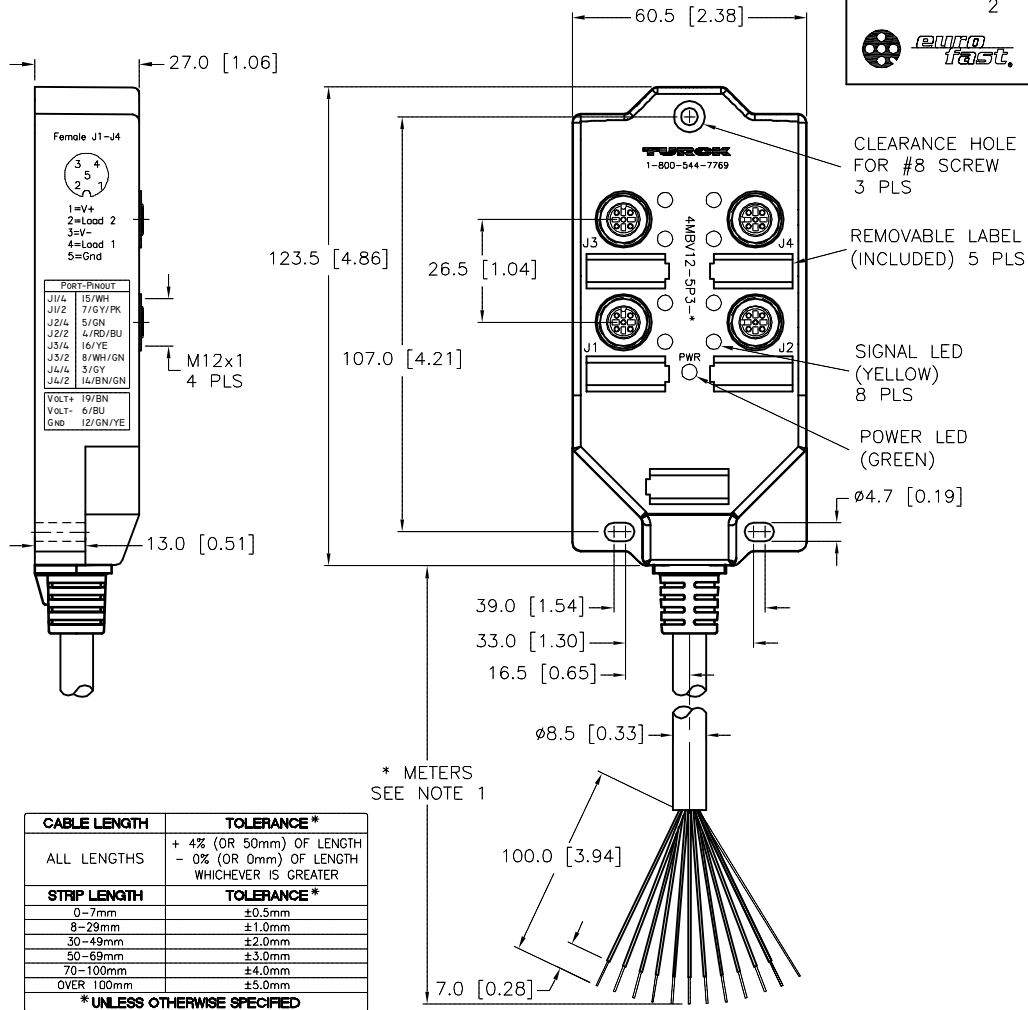


FEMALE END VIEW (J1-J4)



SPECIFICATIONS

CABLE DATA	
NUMBER OF CONDUCTORS [AWG]	3x18 AWG/8x22 AWG
DRAIN/SHIELD	22 AWG DRAIN/POLYESTER FOIL SHIELD
CONDUCTOR INSULATION MATERIAL	PVC
OUTTER JACKET MATERIAL/COLOR	PVC/YELLOW
MATERIAL	
HOUSING/COLOR	NYLON/BLACK
RECEPTACLE/FINISH	STAINLESS STEEL/PASSIVATED
CONTACT CARRIERS/COLOR	NYLON/BLACK
CONTACTS/PLATING	BRASS/GOLD
SEALING RING	FKM/FPM
ELECTRICAL DATA	
RATED VOLTAGE	10-48 VDC
RATED CURRENT	4.0 AMPS PER PORT, 9.0 AMPS TOTAL
LED CURRENT	12mA MAX AT 48VDC SUPPLY VOLTAGE(PER LED)
SPACINGS	to VDE 0110 GROUP C
MECHANICAL DATA	
PROTECTION CLASS to DIN 40050	IP 67 - ONLY WHEN ALL RECEPTACLES ARE COVERED WITH PLUGS OR CONNECTED
TEMPERATURE RANGE	-30°C to +80°C (-25°F to +176°F)



WIRING DIAGRAM SOURCE DRAWING - FOR REFERENCE ONLY

NOTES:
1. "*" INDICATES CABLE LENGTH IN METERS. CONTACT TURCK TO ORDER SPECIFIC LENGTHS.



RELATED DOCUMENTS
1. 2. 3. 4.
MATERIAL
SEE SPECIFICATIONS
FINISH
SEE SPECIFICATIONS

3RD ANGLE PROJECTION
ALL DIMENSIONS DISPLAYED ON THIS DRAWING ARE FOR REFERENCE ONLY
CONTACT TURCK FOR MORE INFORMATION

THIS DRAWING IS CONFIDENTIAL AND THE PROPERTY OF TURCK INC. USE OF THIS DOCUMENT WITHOUT WRITTEN PERMISSION IS PROHIBITED.	
DRFT	JBU
DATE	10/31/02
APVD	SCALE 1=2
UNIT OF MEASUREMENT	
MILLIMETER [INCH]	
DO NOT SCALE THIS DRAWING	

3000 CAMPUS DRIVE MINNEAPOLIS, MN 55441 1-800-544-7769 (763) 553-7300 (763) 553-0708 fax www.turck.us	
TURCK	
DESCRIPTION 4MBV12-5P3-*	
IDENTIFICATION NO.	REV E
FILE: 777001338	SHEET 1 OF 1

E	UPDATED SEALING RING MATERIAL PER ECO	TV	08/11/16	56141
REV	DESCRIPTION	BY	DATE	ECO NO.