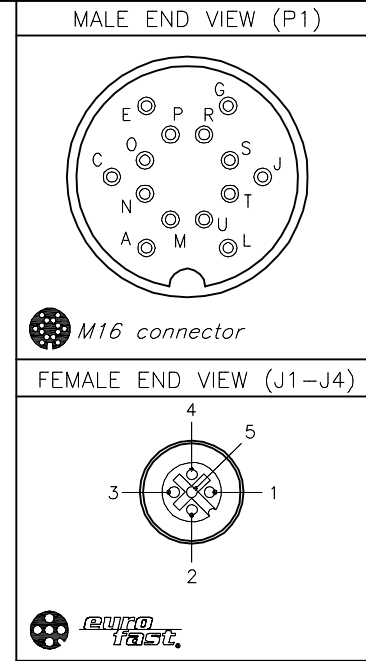
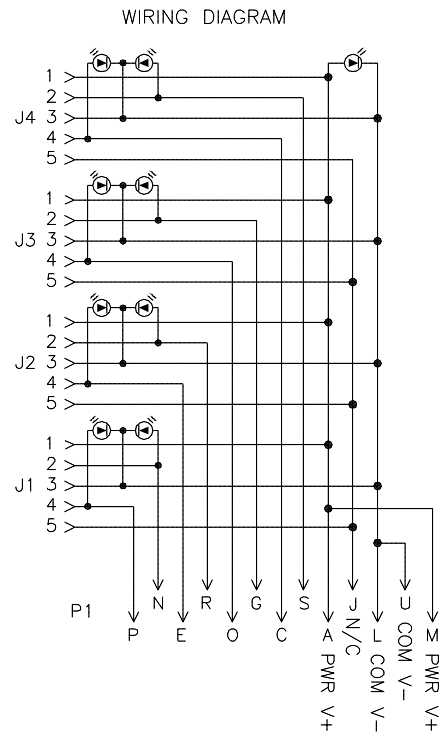


SPECIFICATIONS	
HOUSING MATERIAL/COLOR	NYLON/BLACK
RECEPTACLE HOUSING MATERIAL/PLATING	ALUMINUM (P1), BRASS/NICKEL (J1-J4)
CONTACT CARRIER MATERIAL/COLOR	PETP/BLACK, NYLON/BLACK (J1-J4)
CONTACT MATERIAL/PLATING	BRASS/GOLD
SEALING RING	VITON O-RINGS (M12)
OPERATING VOLTAGE [V]	10-48 VDC
OPERATING CURRENT [A]	4.0 AMPS PER PORT
TOTAL CURRENT [A]	3.0 AMPS USING SINGLE POWER PAIR 6.0 AMPS USING DUAL POWER PAIR
PROTECTION CLASS	IP 67 - ONLY WHEN ALL RECEPTACLES ARE COVERED WITH PLUGS OR CONNECTED
OPERATING TEMPERATURE	-30°C to +80°C (-22°F to +176°F)



CLOSURE CAPS (2 INCLUDED)

SOURCE DRAWING - FOR REFERENCE ONLY

RELATED DOCUMENTS		3RD ANGLE PROJECTION		THIS DRAWING IS CONFIDENTIAL AND THE PROPERTY OF TURCK INC. USE OF THIS DOCUMENT WITHOUT WRITTEN PERMISSION IS PROHIBITED.		<b>TURCK INC</b> High Technology Sensors and Automation Controls 3000 CAMPUS DRIVE MINNEAPOLIS, MN 55441 1-800-544-7769 (763) 553-7300 (763) 553-0708 fax turck.com	
1. 2. 3. 4.				DRFT JBJ		DATE 12/10/01	
MATERIAL		ALL DIMENSIONS DISPLAYED ON THIS DRAWING ARE FOR REFERENCE ONLY		APVD		SCALE 1=1.3	
SEE SPECIFICATIONS		CONTACT TURCK FOR MORE INFORMATION		UNIT OF MEASUREMENT		DESCRIPTION	
FINISH		MILLIMETER [ INCH ]		DO NOT SCALE THIS DRAWING		4MBM12-5P3-BS14	
SEE SPECIFICATIONS		IDENTIFICATION NO.		REV		O0877-08 E	
E UPDATED CLOSURE CAPS		TV 09/14/15 48811		FILE: U0877-08		SHEET 1 OF 1	
REV DESCRIPTION		BY DATE ECO NO.					

E	UPDATED CLOSURE CAPS	TV	09/14/15	48811
REV	DESCRIPTION	BY	DATE	ECO NO.