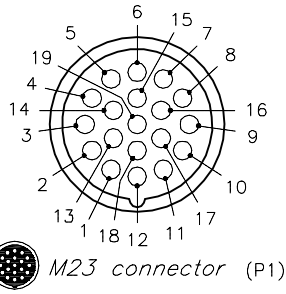
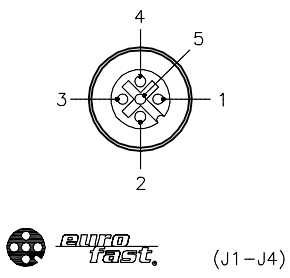


MALE END VIEW



FEMALE END VIEW

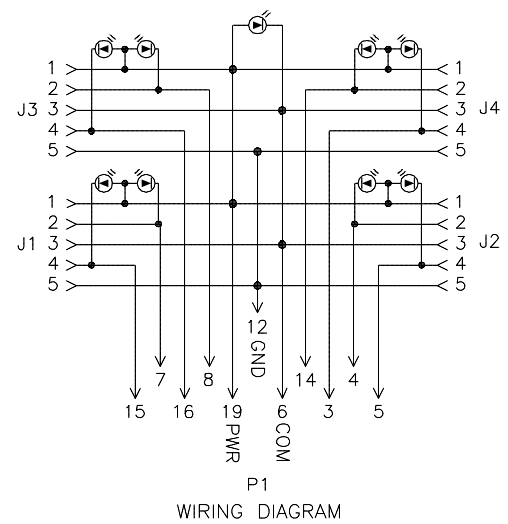
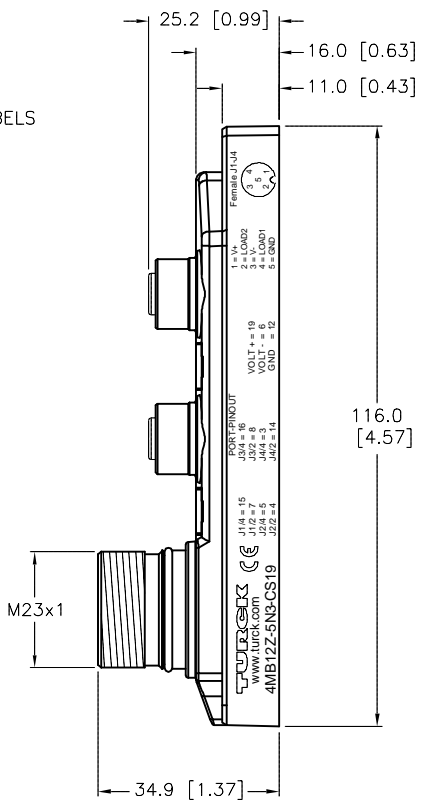
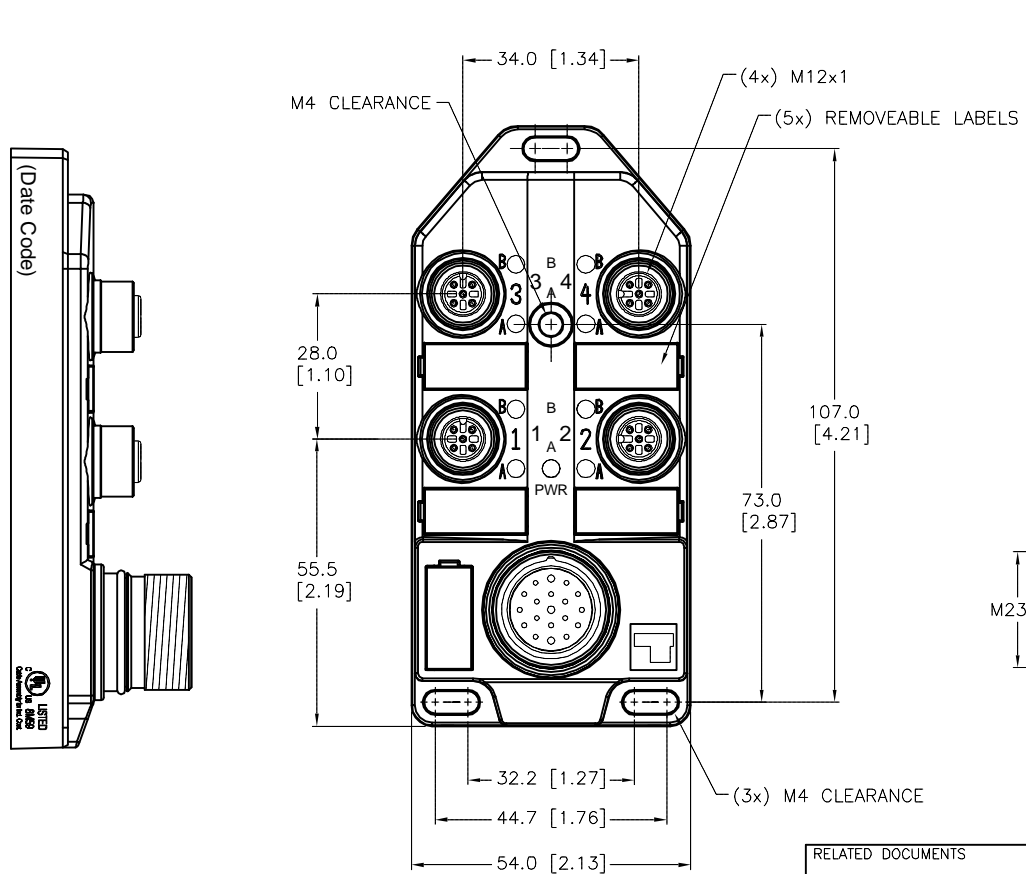


SPECIFICATIONS

HOUSING MATERIAL/COLOR	NYLON/BLACK
RECEPTACLE MATERIAL/PLATING	BRASS/NICKEL
CONTACT CARRIER MATERIAL	NYLON
CONTACT MATERIAL/PLATING	BRASS/GOLD
O-RING MATERIAL	VITON
OPERATING VOLTAGE [V]	10-30 VDC
OPERATING CURRENT [A]	2.0 AMPS/SIGNAL, 9.0 AMPS TOTAL
PROTECTION CLASS	IP67,IP69K: ONLY WHEN ALL RECEPTACLES ARE COVERED WITH PLUGS OR CONNECTED
OPERATING TEMPERATURE	-40°C to +85°C (-40°F to +185°F)

M23 connector (P1)

(J1-J4)



SOURCE DRAWING - FOR REFERENCE ONLY

RELATED DOCUMENTS	3RD ANGLE PROJECTION	THIS DRAWING IS CONFIDENTIAL AND THE PROPERTY OF TURCK INC. USE OF THIS DOCUMENT WITHOUT WRITTEN PERMISSION IS PROHIBITED.	3000 CAMPUS DRIVE MINNEAPOLIS, MN 55441 1-800-544-7769 (763) 553-7300 (763) 553-0708 fax www.turck.us
1.		DRFT RDS	DESCRIPTION 4MB12Z-5N3-CS19
2.		DATE 11/24/04	
3.	ALL DIMENSIONS DISPLAYED ON THIS DRAWING ARE FOR REFERENCE ONLY	APVD SWC	IDENTIFICATION NO. E8028570
4.		SCALE 1=1.5	
MATERIAL SEE SPECIFICATIONS	CONTACT TURCK FOR MORE INFORMATION	UNIT OF MEASUREMENT MILLIMETER [INCH]	
FINISH SEE SPECIFICATIONS		DO NOT SCALE THIS DRAWING	REV G

1.		DRFT RDS	DESCRIPTION 4MB12Z-5N3-CS19
2.		DATE 11/24/04	
3.	ALL DIMENSIONS DISPLAYED ON THIS DRAWING ARE FOR REFERENCE ONLY	APVD SWC	IDENTIFICATION NO. E8028570
4.		SCALE 1=1.5	
MATERIAL SEE SPECIFICATIONS	CONTACT TURCK FOR MORE INFORMATION	UNIT OF MEASUREMENT MILLIMETER [INCH]	
FINISH SEE SPECIFICATIONS		DO NOT SCALE THIS DRAWING	REV G

1.		DRFT RDS	DESCRIPTION 4MB12Z-5N3-CS19
2.		DATE 11/24/04	
3.	ALL DIMENSIONS DISPLAYED ON THIS DRAWING ARE FOR REFERENCE ONLY	APVD SWC	IDENTIFICATION NO. E8028570
4.		SCALE 1=1.5	
MATERIAL SEE SPECIFICATIONS	CONTACT TURCK FOR MORE INFORMATION	UNIT OF MEASUREMENT MILLIMETER [INCH]	
FINISH SEE SPECIFICATIONS		DO NOT SCALE THIS DRAWING	REV G

1.		DRFT RDS	DESCRIPTION 4MB12Z-5N3-CS19
2.		DATE 11/24/04	
3.	ALL DIMENSIONS DISPLAYED ON THIS DRAWING ARE FOR REFERENCE ONLY	APVD SWC	IDENTIFICATION NO. E8028570
4.		SCALE 1=1.5	
MATERIAL SEE SPECIFICATIONS	CONTACT TURCK FOR MORE INFORMATION	UNIT OF MEASUREMENT MILLIMETER [INCH]	
FINISH SEE SPECIFICATIONS		DO NOT SCALE THIS DRAWING	REV G

G	UPDATE SIDE CLICHE	RDS	11/09/18	67589
REV	DESCRIPTION	BY	DATE	ECO NO.