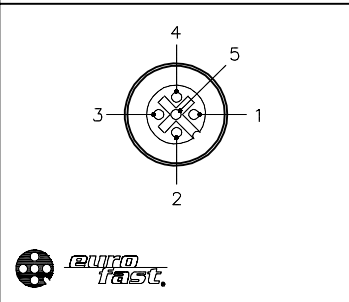


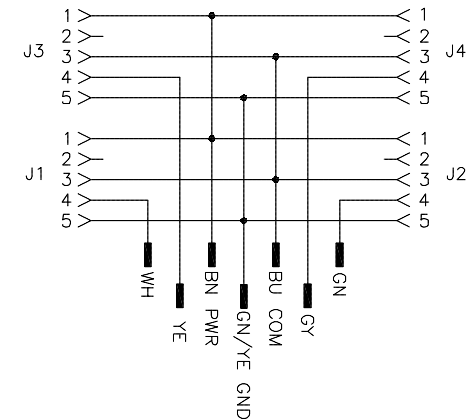
FEMALE END VIEW



SPECIFICATIONS

| | |
|-------------------------------|--|
| NUMBER OF CONDUCTORS [AWG] | 7x18 AWG |
| DRAIN/SHIELD | 20 AWG/ALUMINUM-POLYESTER FOIL |
| CONDUCTOR INSULATION MATERIAL | PVC |
| OUTER JACKET MATERIAL/COLOR | PVC/YELLOW |
| HOUSING MATERIAL/COLOR | NYLON/BLACK |
| RECEPTACLE MATERIAL/PLATING | BRASS/NICKEL |
| CONTACT CARRIER MATERIAL | NYLON |
| CONTACT MATERIAL/PLATING | BRASS/GOLD |
| O-RING MATERIAL | FKM/FPM |
| OPERATING VOLTAGE [V] | 250 VDC |
| OPERATING CURRENT [A] | 4.0 AMPS/SIGNAL, 12.0 AMPS TOTAL |
| PROTECTION CLASS | IP68, IP69K: ONLY WHEN ALL RECEPTACLES ARE COVERED WITH PLUGS OR CONNECTED |
| OPERATING TEMPERATURE | -40°C to +85°C (-40°F to +185°F) |

WIRING DIAGRAM



| CABLE LENGTH | TOLERANCE* |
|--------------|---|
| ALL LENGTHS | + 4% (OR 50mm) OF LENGTH - 0% (OR 0mm) OF LENGTH WHICHEVER IS GREATER |
| STRIP LENGTH | TOLERANCE* |
| 0-7mm | ±0.5mm |
| 8-29mm | ±1.0mm |
| 30-49mm | ±2.0mm |
| 50-69mm | ±3.0mm |
| 70-100mm | ±4.0mm |
| OVER 100mm | ±5.0mm |

* UNLESS OTHERWISE SPECIFIED

NOTES:
1. "*" INDICATES CABLE LENGTHS IN METERS. CONTACT TURCK TO ORDER SPECIFIC LENGTH.

SOURCE DRAWING - FOR REFERENCE ONLY

| | | | | | | |
|---|---|--|---|--|---------------------------|---|
| RELATED DOCUMENTS 1. 2. 3. 4. | 3RD ANGLE PROJECTION | THIS DRAWING IS CONFIDENTIAL AND THE PROPERTY OF TURCK INC. USE OF THIS DOCUMENT WITHOUT WRITTEN PERMISSION IS PROHIBITED. | | 3000 CAMPUS DRIVE MINNEAPOLIS, MN 55441 1-800-544-7769 (763) 553-7300 (763) 553-0708 fax www.turck.us | | |
| | | DRFT | RWC | DATE | 10/08/04 | DESCRIPTION TURCK 4MB12Z-4-* |
| MATERIAL SEE SPECIFICATIONS | ALL DIMENSIONS DISPLAYED ON THIS DRAWING ARE FOR REFERENCE ONLY | APVD | | SCALE | 1=2.0 | |
| FINISH SEE SPECIFICATIONS | | CONTACT TURCK FOR MORE INFORMATION | UNIT OF MEASUREMENT MILLIMETER [INCH] | | IDENTIFICATION NO. | REV J |
| J | ADD CE SYMBOL TO LABEL | NF | 08/30/18 | 66305 | | |
| REV | DESCRIPTION | BY | DATE | ECO NO. | DO NOT SCALE THIS DRAWING | |
| | | | | | FILE: 777003731 | SHEET 1 OF 1 |