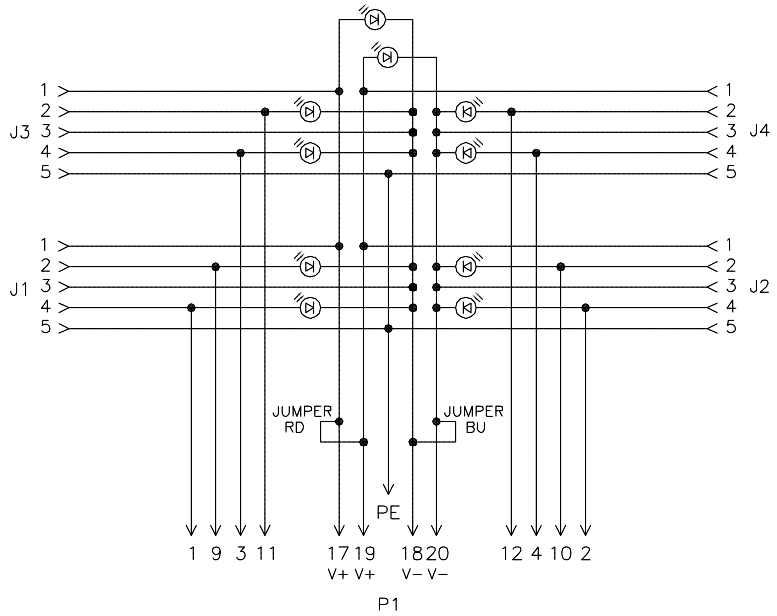
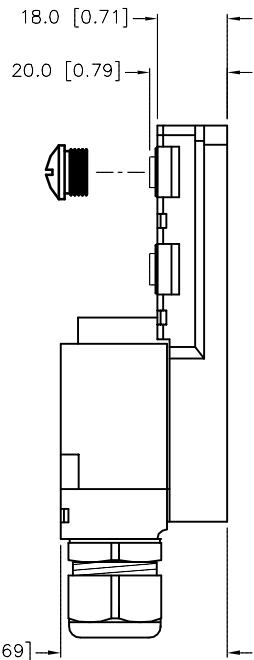
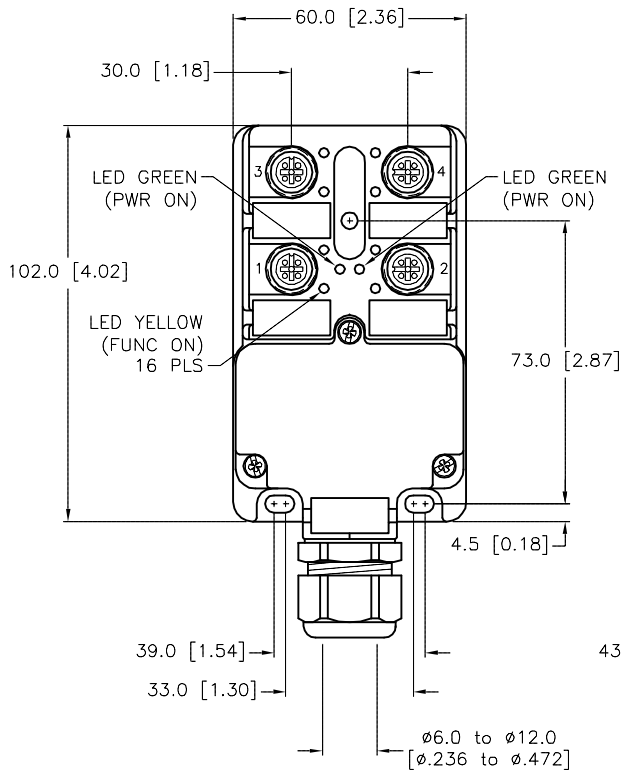


SPECIFICATIONS	
HOUSING MATERIAL/COLOR	PBT (UL 94 VO)/BLACK
RECEPTACLE THREADING MATL/PLATING	BRASS/NICKEL
CONTACT CARRIERS/COLOR	PBT/BLACK
CONTACTS MATERIAL/PLATING	BRASS/GOLD
SEALING, RECEPTACLE	VITON O-RING
SEALING, HOUSING	TPU FOAM
TERMINATION METHOD	SPRING-CLAMPING (FIELD WIRABLE)
MAX. WIRE SIZE [AWG]	16 AWG
OPERATING VOLTAGE [V]	10-30 V
OPERATING CURRENT [A]	2.0 A PER SIGNAL, 10.0 A TOTAL or 8.0 A PER SUPPLY
PROTECTION CLASS to DIN 40050	IP 68 - ONLY WHEN ALL RECEPTACLES ARE COVERED WITH PLUGS OR CONNECTED
OPERATING TEMPERATURE	-20°C to +90°C (-4°F to +194°F)



WIRING DIAGRAM  
(FACTORY SETTING)

SOURCE DRAWING - FOR REFERENCE ONLY



CLOSURE CAPS  
(2 INCLUDED)

RELATED DOCUMENTS 1. 2. 3. 4.	3RD ANGLE PROJECTION	THIS DRAWING IS CONFIDENTIAL AND THE PROPERTY OF TURCK INC. USE OF THIS DOCUMENT WITHOUT WRITTEN PERMISSION IS PROHIBITED.	 High Technology Sensors and Automation Controls		3000 CAMPUS DRIVE MINNEAPOLIS, MN 55441 1-800-544-7769 (763) 553-7300 (763) 553-0708 fax turck.com	
	MATERIAL SEE SPECIFICATIONS		DRFT JBU DATE 12/03/01	DESCRIPTION 4MB12-5P4-K-FK		IDENTIFICATION NO. U8018207
FINISH SEE SPECIFICATIONS	ALL DIMENSIONS DISPLAYED ON THIS DRAWING ARE FOR REFERENCE ONLY	APVD	SCALE 1=2.0	UNIT OF MEASUREMENT <b>MILLIMETER [ INCH ]</b>		REV E
CONTACT TURCK FOR MORE INFORMATION		DO NOT SCALE THIS DRAWING		FILE: U8018207		SHEET 1 OF 1

E	UPDATE CABLE GLAND RANGE	RDS	11/30/15	52456
REV	DESCRIPTION	BY	DATE	ECO NO.