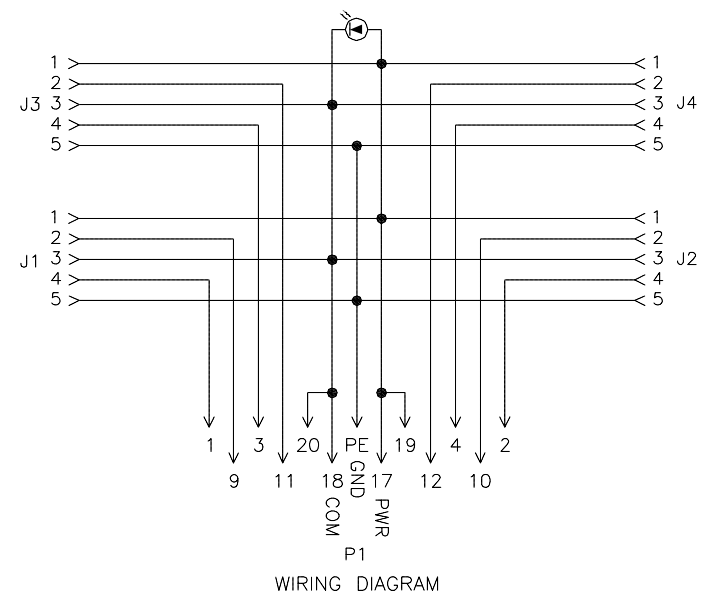
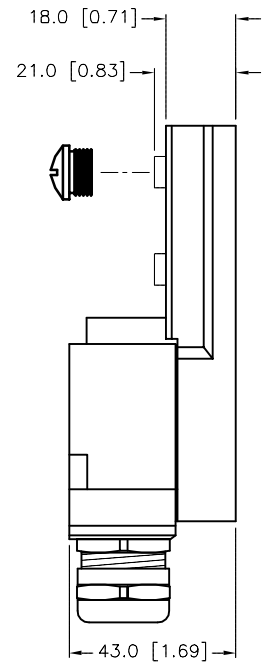
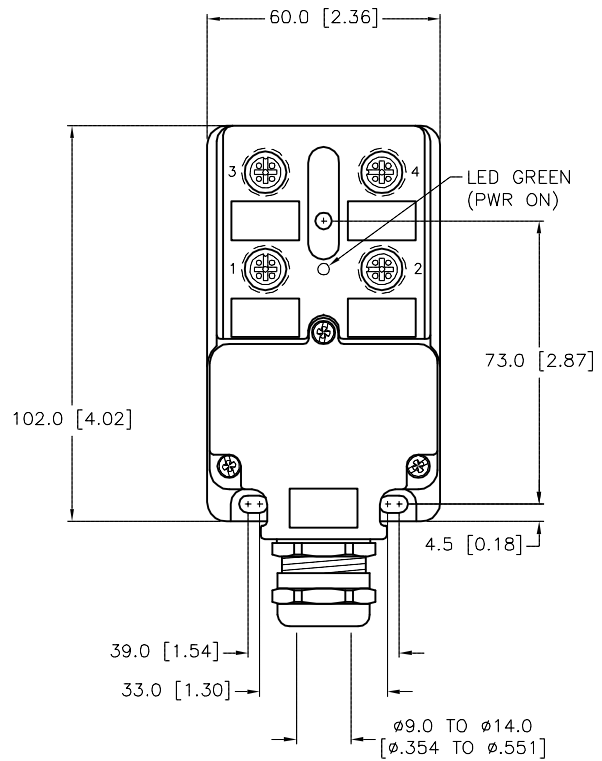


SPECIFICATIONS	
HOUSING MATERIAL	DIE-CAST ZINC
HOUSING FINISH/COLOR	NICKEL-PLATED/SILVER
RECEPTACLE THREADING	BRASS/NICKEL
CONTACT CARRIERS/COLOR	PBT/BLACK
CONTACT MATERIAL/PLATING	BRASS/GOLD
SEALING, RECEPTACLE	VITON O-RING
SEALING, HOUSING	TPU FOAM
TERMINATION METHOD	THREAD-CLAMPING (FIELD WIRABLE)
MAXIMUM WIRE SIZE [AWG]	16 AWG
OPERATING VOLTAGE [V]	10-30 V
OPERATING CURRENT [A]	2.0 A PER SIGNAL, 10.0 A TOTAL
PROTECTION CLASS to DIN 40050	IP 68 - ONLY WHEN ALL RECEPTACLES ARE COVERED WITH PLUGS OR CONNECTED
OPERATING TEMPERATURE	-20°C to +90°C (-4°F to +194°F)



SOURCE DRAWING - FOR REFERENCE ONLY

RELATED DOCUMENTS 1. 2. 3. 4.	3RD ANGLE PROJECTION	THIS DRAWING IS CONFIDENTIAL AND THE PROPERTY OF TURCK INC. USE OF THIS DOCUMENT WITHOUT WRITTEN PERMISSION IS PROHIBITED.	 3000 CAMPUS DRIVE MINNEAPOLIS, MN 55441 1-800-544-7769 (763) 553-7300 (763) 553-0708 fax turck.com	
	MATERIAL		DRFT JBJ	DATE 10/10/01
SEE SPECIFICATIONS	ALL DIMENSIONS DISPLAYED ON THIS DRAWING ARE FOR REFERENCE ONLY	APVD	SCALE 1=2.0	IDENTIFICATION NO. U8018206
FINISH	CONTACT TURCK FOR MORE INFORMATION	UNIT OF MEASUREMENT MILLIMETER [INCH]		REV D
SEE SPECIFICATIONS		DO NOT SCALE THIS DRAWING		FILE: U8018206
D UPDATE OPERATING CURRENT RATINGS	KMY 10/11/13 43705	SHEET 1 OF 1		
REV DESCRIPTION	BY DATE ECO NO.			