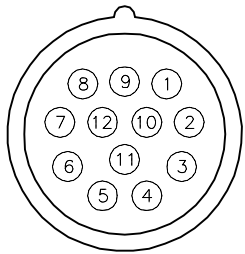
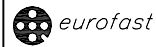
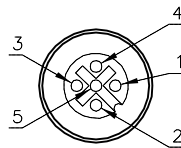


MALE END VIEW (P1)



FEMALE END VIEW (J1-J4)



SPECIFICATIONS

MATERIAL

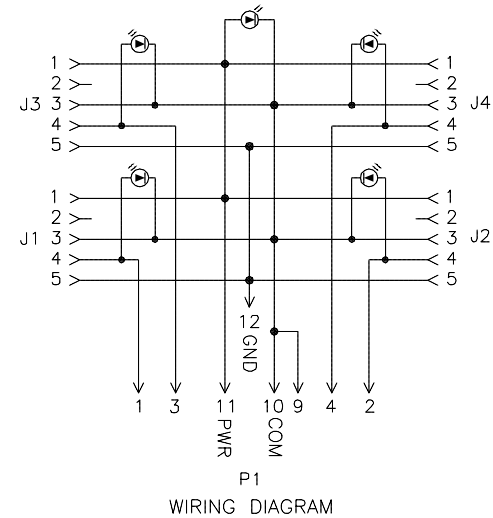
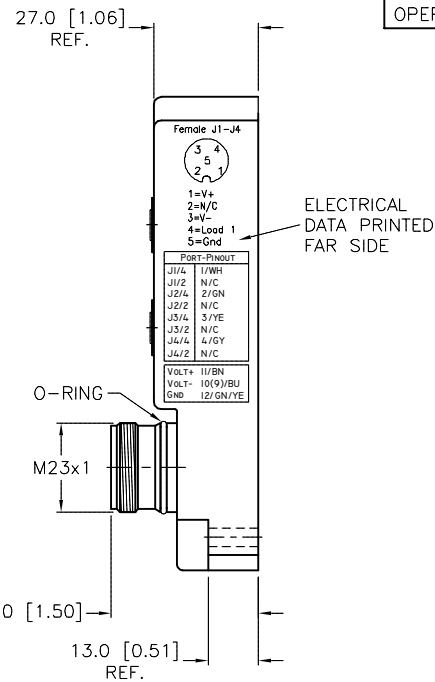
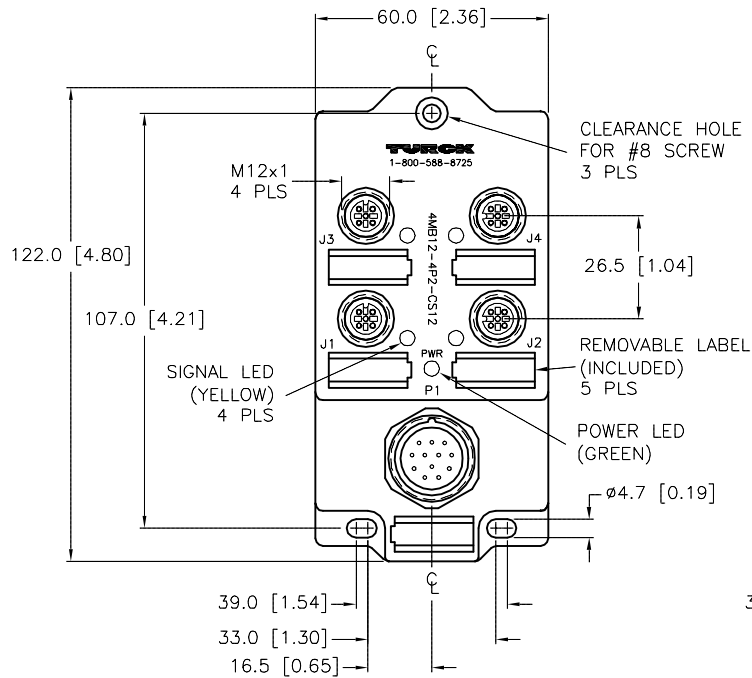
HOUSING/COLOR	NYLON/BLACK
RECEPTACLES	NICKEL-PLATED BRASS
CONTACT CARRIERS/COLOR	NYLON/BLACK (J1-J4), PBT/WHITE (P1)
CONTACTS	GOLD-PLATED BRASS
SEALING RING	VITON O-RINGS

ELECTRICAL DATA

OPERATING VOLTAGE	10-48 VDC
OPERATING CURRENT	4.0 AMPS PER PORT, 8.0 AMPS TOTAL
LED CURRENT	12mA MAX AT 48VDC SUPPLY VOLTAGE(PER LED)
SPACINGS	to VDE 0110 GROUP C

MECHANICAL DATA

PROTECTION CLASS to DIN 40050	IP 67 - ONLY WHEN ALL RECEPTACLES ARE COVERED WITH PLUGS OR CONNECTED
OPERATING TEMPERATURE	-30°C to +80°C (-25°F to +176°F)



SOURCE DRAWING - FOR REFERENCE ONLY

CLOSURE CAPS
(2 INCLUDED)

RELATED DOCUMENTS 1. 2. 3. 4.	3RD ANGLE PROJECTION 	THIS DRAWING IS CONFIDENTIAL AND THE PROPERTY OF TURCK INC. USE OF THIS DOCUMENT WITHOUT WRITTEN PERMISSION IS PROHIBITED.		3000 CAMPUS DRIVE MINNEAPOLIS, MN 55441 1-800-544-7769 (763) 553-7300 (763) 553-0708 fax turck.com				
		DRFT	JB	DATE	01/07/02	DESCRIPTION 4MB12-4P2-CS12		
MATERIAL SEE SPECIFICATIONS	ALL DIMENSIONS DISPLAYED ON THIS DRAWING ARE FOR REFERENCE ONLY	APVD		SCALE	1=2			
FINISH SEE SPECIFICATIONS		CONTACT TURCK FOR MORE INFORMATION	UNIT OF MEASUREMENT MILLIMETER [INCH]		IDENTIFICATION NO. U3088	REV C		
C		UPDATED CLOSURE CAPS	TV	09/15/15	48811	DO NOT SCALE THIS DRAWING	FILE: U3088	SHEET 1 OF 1
REV	DESCRIPTION	BY	DATE	ECO NO.				