

Product Specifications



Post Office Box 97
Benton Harbor, Michigan
Ph: 269/926-6171
Fax: 269/925-8288

PART NUMBER:
STD150

REV.
G

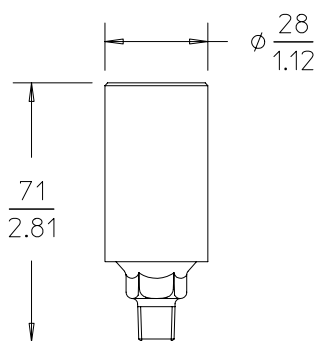
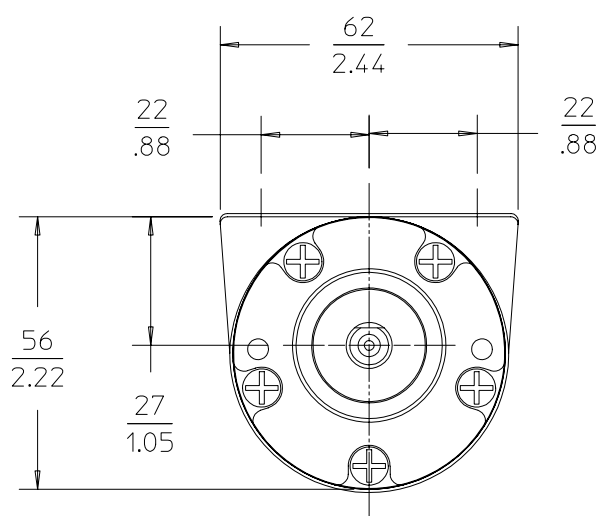
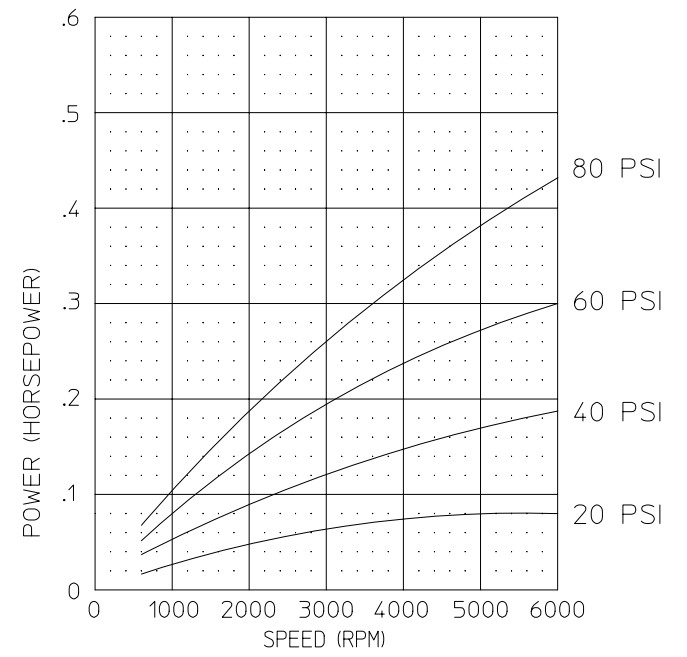
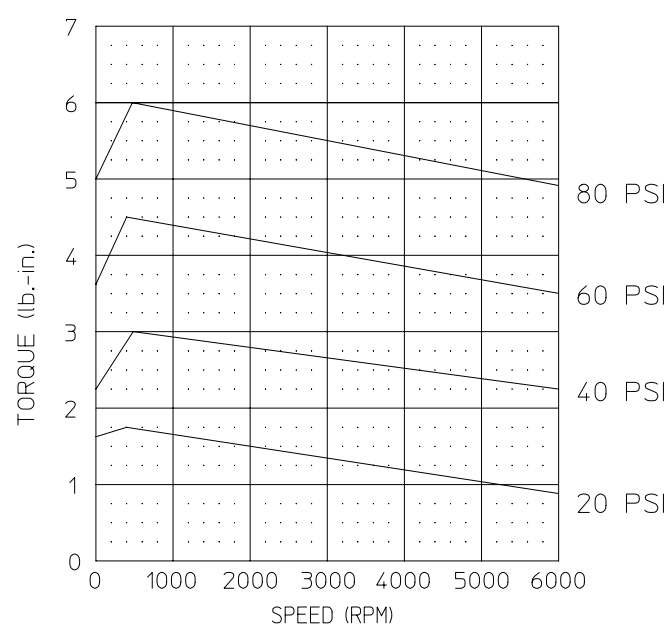
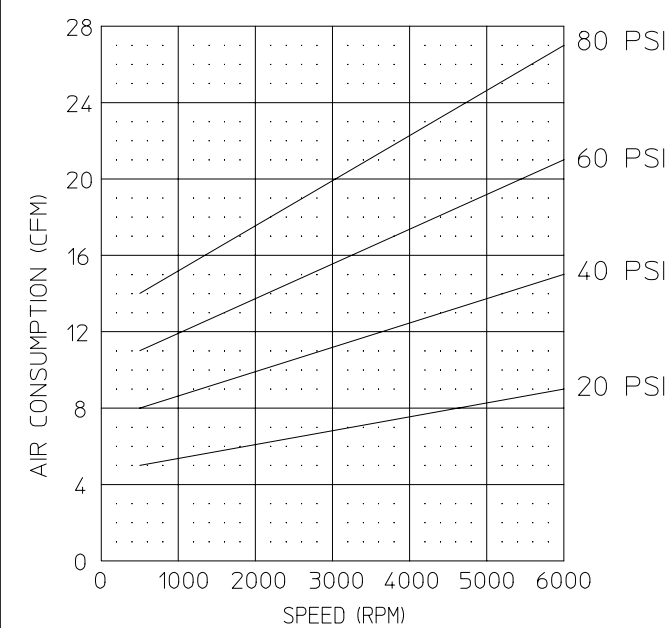
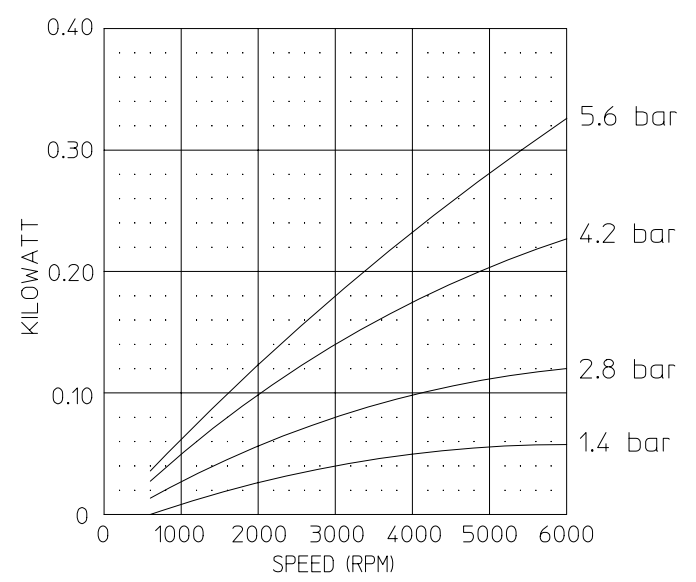
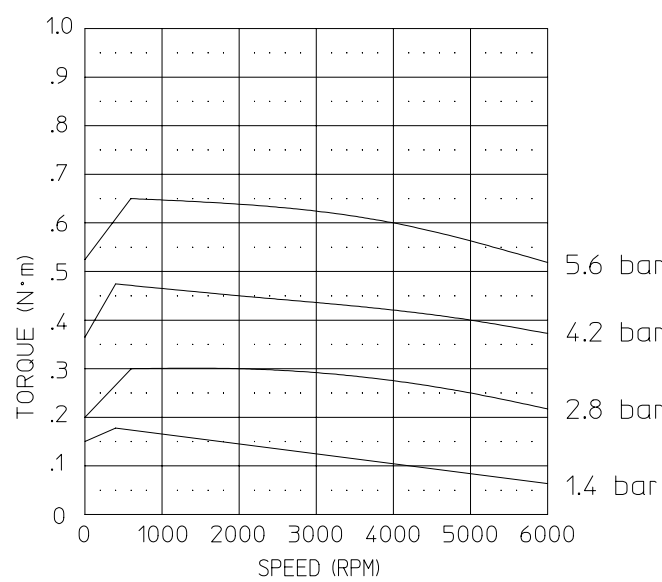
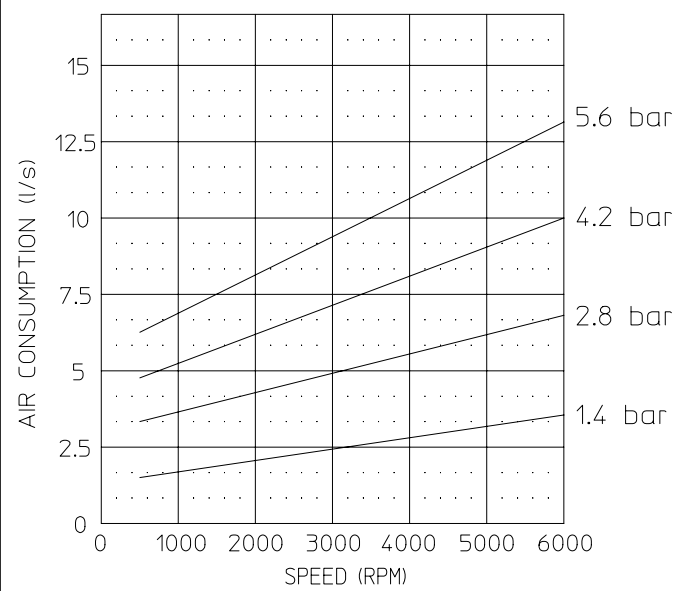
Model Number	MAX. PRESS.		MAX. SPEED	HP	kW	Net Wt.	
	bar.	PSI				lbs.	kg
1UP-NCC-1A	5.6	80	6,000 RPM	.42	0.33	3	1.4
1UP-NCW-2A	5.6	80	6,000 RPM	.42	0.33	3	1.4
* 1UP-NRV-3	5.6	80	6,000 RPM	.42	0.33	3	1.4
1UP-NRV-3A	5.6	80	6,000 RPM	.42	0.33	3	1.4
1UP-NRV-10	5.6	80	6,000 RPM	.42	0.33	3	1.4
1UP-NCC-30	5.6	80	6,000 RPM	.42	0.33	3	1.4

SOUND LEVEL 78 dB(A) MAX.
 NORMAL AMBIENT +1°C. - 120°C.
 RELATIVE HUMIDITY 0% - 100%
 ENVIRONMENT HAZARDOUS AMBIENT COMBUSTIBLE
GAS AND DUST +1°C TO +40°C

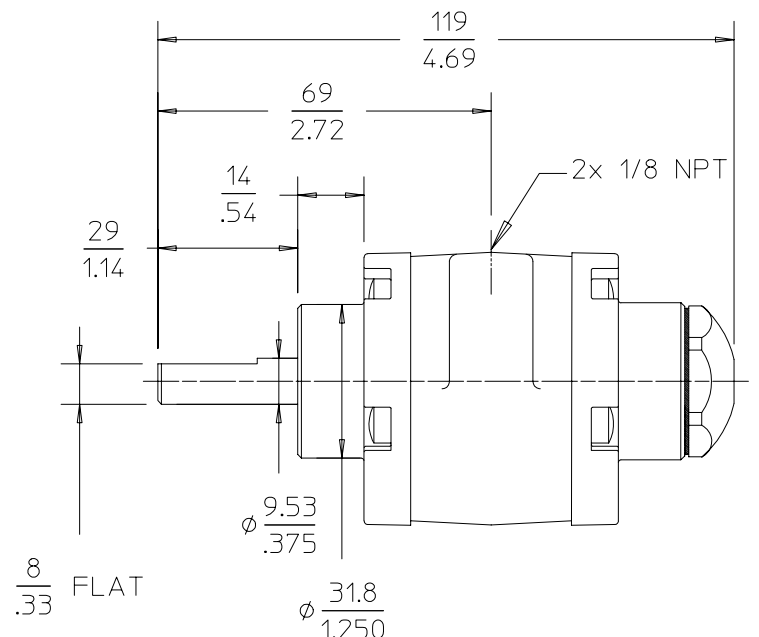
CONFORMS TO EUROPEAN STANDARD EN13463-1
 NON-ELECTRICAL EQUIPMENT FOR EXPLOSIVE
 ATMOSPHERES GROUP II CAT 2 (GAS & DUST),
 PROTECTED BY CONSTRUCTION (SURFACE TEMP. RATED 135°C).

* DENOTES INACTIVE MODELS

TECHNICAL DATA SUBJECT TO CHANGE WITHOUT NOTICE



MUFFLER ASSEMBLY
 SHIPPED UNATTACHED
 (1UP-NRV-3A ONLY)



$\frac{8}{.33}$ FLAT